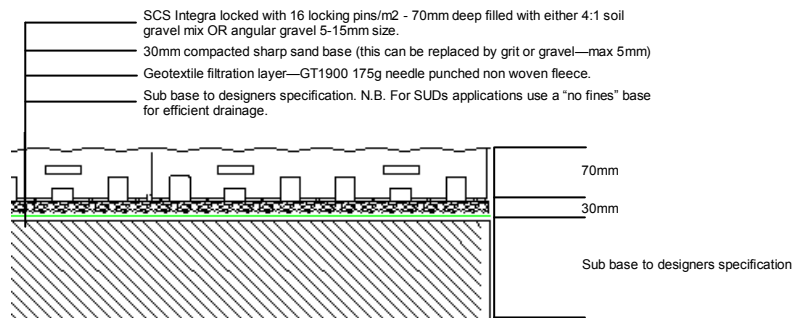


SCS INTEGRA



Usage	CBR(%) of subsoil	DoT sub base thickness (mm)	TeleGrid
Verge reinforcement	> 6	150	n/a
	4-6	200	n/a
	2-4	300	20/20
	1-2	475	20/20
Fire paths & occasional HGV	> 6	125	n/a
	4-6	175	n/a
	2-4	275	20/20
	1-2	475	20/20
Car Parks	> 6	100	n/a
	4-6	150	n/a
	2-4	225	20/20
	1-2	350	20/20
SCS Integra Specification			
I N T E G R A	Nominal Size	500mm x 500mm x 70mm (+0/-2%)	
	Coverage Rate	4 Blocks/m ²	
	Weight/Unit	2.0Kg	
	Infiltration Rate	Over 5,000mm/hr	
	Run-off Coefficient Range	0.05 - 0.25	
	Lateral Drainage Void	Over 20%	
	Open Surface Area	Over 90%	
	Compressive Strength	2,400 kN/m ² (245 tonnes/m ²)	
	Connection between units	Secure locking pegs with load transference	
	Colour	Black	
Demarcation Blocks	White clip in units (4 to form tee)		
Fill Material	Grass	Good quality topsoil mixed 4:1 with sharp sand	
	Gravel	5mm - 15mm Angular gravel (BS 882)	
Bedding Material	Grass	30 - 50mm compacted sharp sand (4:1 with top soil)	
	Gravel	30 - 50mm compacted sharp sand or aggregate	
Separation Layer	Geotextile	175g/m ² needle punched, non woven fleece	
Sub-base	DoT Type 1 (as above)	Suitable for non SUDs applications	
	Open Graded Aggregate	For SUDs applications (ref CIRIA) - Modified Type 1	

Ecomerchant. The National Self Build & Renovation Centre, Lydiard Fields, Swindon, SN5 8UB

T (01793) 847 444 e mail info@ecomerchant.co.uk Website www.ecomerchant.co.uk