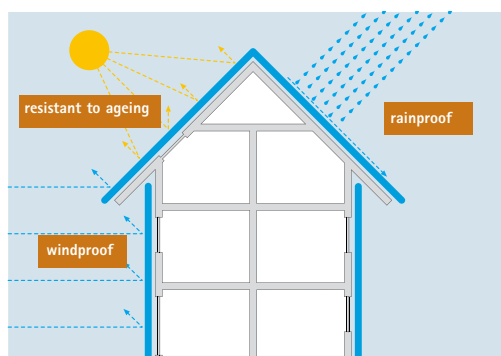


Safety for roofs and walls pro clima SOLITEX

diffusion-permeable, tear-resistant, rainproof

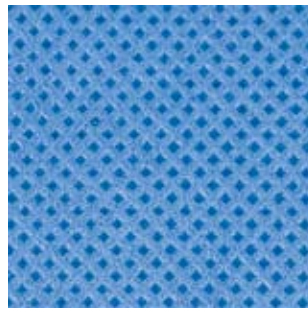


pro clima SOLITEX sarking membrane / roof lining membrane / wall lining membrane



pro clima SOLITEX membranes have an impressive range of basic characteristics: diffusion-permeable, rainproof, highly tear-resistant. Quick and safe to work with.

Cover fleece



The robust polypropylene microfibre cover fleece is water-resistant and provides optimum protection against the penetration of damp. It protects the specialist film below from damage and UV radiation.

The honeycomb structure guarantees non-slip properties even when wet. It is coloured blue to prevent dazzling when it is being laid.

Specialist film



A stretchable, diffusion permeable specialist film gives the pro clima SOLITEX membranes extremely high resistance to water. At the same time, vapour can pass through it almost unrestricted.

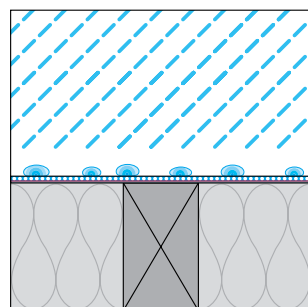
In addition, the specific properties of the specialist film ensure the excellent wind resistance properties of the pro clima SOLITEX membranes.

Reinforcement material



The tightly meshed polypropylene reinforcement material doubles the overall strength of the SOLITEX PLUS membrane. If it is used as a sarking membrane, the material is highly effective at preventing the membrane being broken by nails or feet.

No tent effect



The fact that the pro clima SOLITEX membranes are multi-layered prevents the tent effect (tent canvases leak at points of contact). The pro clima SOLITEX membranes can be supported across the whole surface.



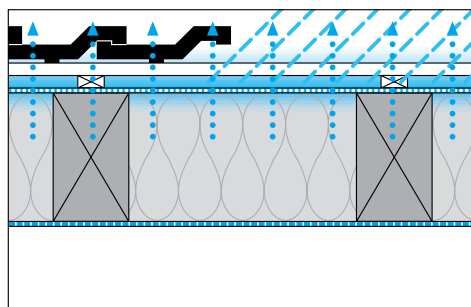
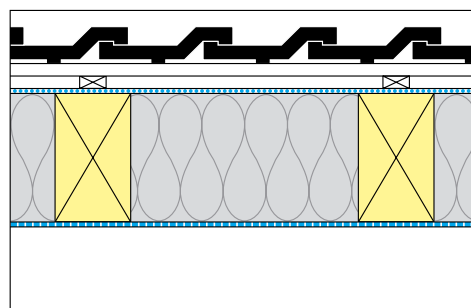
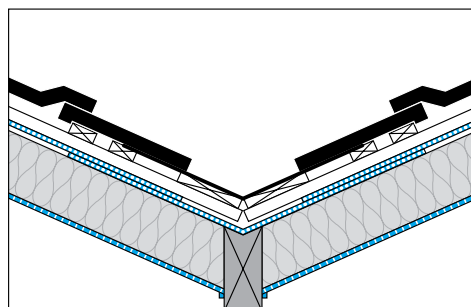
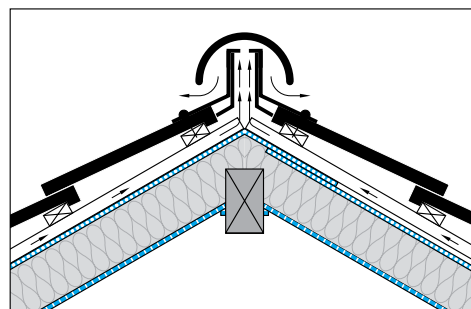
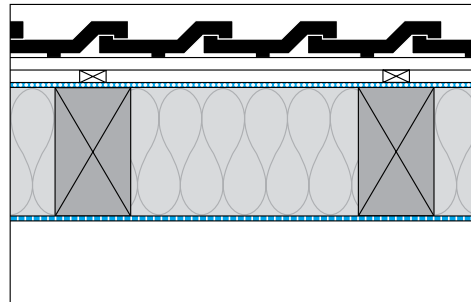
Full rafter insulation

The high diffusion-permeability of the pro clima SOLITEX membranes (sarking membranes, roof lining membranes and wall lining membranes) means that insulation does not need to be back-ventilated. All pro clima SOLITEX sarking and roof lining membranes can be laid directly onto heat insulation, which means the insulation can take up the whole height of the rafters. However, in uninsulated lofts, it is worthwhile fitting a roof ridge and rake ventilation system in order to ventilate the roof area. There is no need for complicated, often ineffective ventilation details on the eaves, the roof ridge, the valley, the rake and the roof fittings.

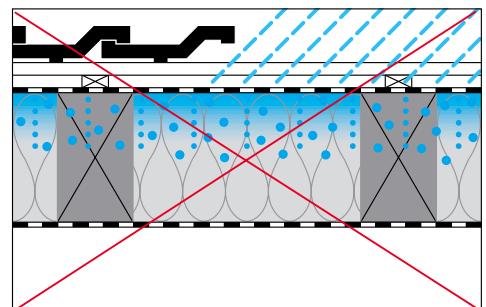
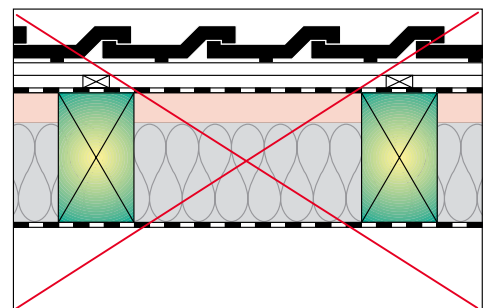
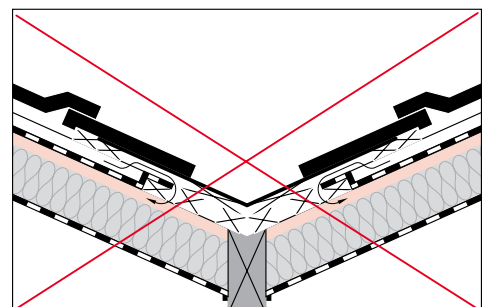
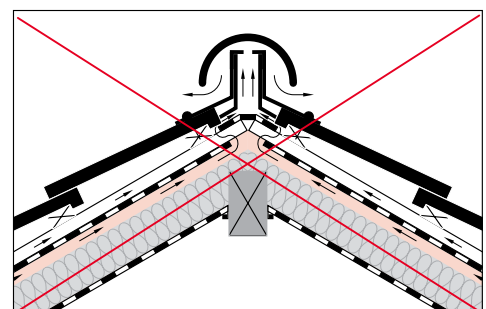
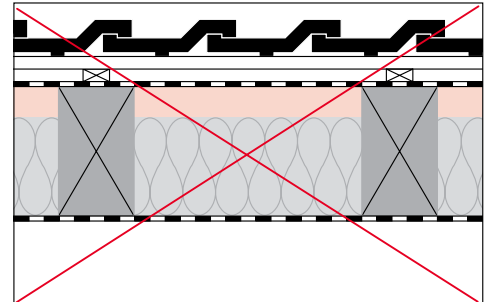
In the case of full rafter insulation, the rafters are protected against insects, which means a chemical treatment of the wood is not generally necessary.

The design is such that the dampness can dry more easily and quickly to the outside. This is an advantage both during construction (when the timber may be damp) and during the life of the building.

Full rafter insulation



Partial rafter insulation





SOLITEX UD

Composition	three-ply combination of PP microfibre fleece, special membrane and PP microfibre fleece	
Surface weight	DIN EN ISO 2286-2	140 g/m ²
Tear-resistance	DIN EN ISO 1421	> 150 N/5 cm
Resistance to nails tearing out	DIN EN 12310-1	> 140 N
s _g -value	DIN EN 12572	< 0,10 m
Water-resistance	DIN EN 20811	waterproof water column > 2500 mm
Fire class	DIN 4102	B 2
UV stability and outdoor exposure	3 months	
Temperature-resistance	DIN 53361	-40° C to +100° C
Dimensions	roll width 1,50 m	roll length 50 m
	roll area 75 m ²	roll weight 11 kg

The pro clima SOLITEX UD consists of a polypropylene microfibre cover fleece, a diffusion-permeable polyolefine membrane and a polypropylenemicrofibre cover fleece on the underside.

With a tear-resistance > 150 N/5 cm, the pro clima SOLITEX UD is excellently suited to us as a roof lining membrane on linings and heat insulation materials.



SOLITEX PLUS

Composition	four-ply combination of PP microfibre fleece, special membrane, PP reinforcement material and PP microfibre fleece	
Surface weight	DIN EN ISO 2286-2	170 g/m ²
Tear-resistance	DIN EN ISO 1421	> 390N/5 cm
Nagelausreibfestigkeit	DIN EN 12310-1	> 300 N
s _g -value	DIN EN 12572	< 0,10 m
Water-resistance	DIN EN 20811	waterproof water column > 2500 mm
Fire class	DIN 4102	B 2
UV stability and outdoor exposure	3 months	
Temperature-resistance	DIN 53361	-40° C to +100° C
Dimensions	roll width 1,50 m	roll length 50 m
	roll area 75 m ²	roll weight 13 kg

The tight-mesh polypropylene reinforcement material in the pro clima SOLITEX PLUS considerably improves the overall strength of the membrane and guarantees extreme resistance to nails and

feet when used either as a roof lining membrane or as a sarking membrane.





SOLITEX WA

Composition	pp microfibre fleece	
Surface weight	DIN EN ISO 2286-2	100 g/m ²
Tear-resistance	DIN EN ISO 1421	> 140 N/5 cm
Resistance to nails tearing out	DIN EN 12310-1	> 120 N
s _g -value	DIN EN 12572	< 0,05 m
Water-resistance	waterproof	
Fire class	DIN 4102	B 2
UV stability and outdoor exposure	3 months	
Temperature-resistance	DIN 53361	-40° C to +100° C
Dimensions	roll width 1,50 m und 3,00 m	roll length 50 m
	roll area 75 m ² , 150 m ²	roll weight 7,5 kg, 15 kg

The wall lining membrane pro clima SOLITEX WA is made of a special polypropylene microfibre fleece. The pro clima SOLITEX WA guarantees optimum protection for the structure under the façade against wind and damp.

The membrane protects against driving rain during construction. The dark grey colour of the pro clima SOLITEX WA prevents it showing through if there are breaks in the façade material (e.g. door lining).

Laying roof area



The pro clima SOLITEX membranes are extremely stable in form, making them quick, easy and accurate to lay. The overlap on the membranes should be at least 10 cm, a distance which is easy to stick to using the printed on markings at 15 cm intervals. A greater overlap is recommended if the roof pitch is less than

the regulation amount. The membranes are attached using rust-resistant wide-headed pins or staples in the top third of the lining area.

Sarking membranes

Sarking membranes are laid from one rafter to the next. Because of their extremely high resistance to water and to nails tearing out, SOLITEX PLUS and SOLITEX ULTRA fulfil all the requirements of a sarking membrane.



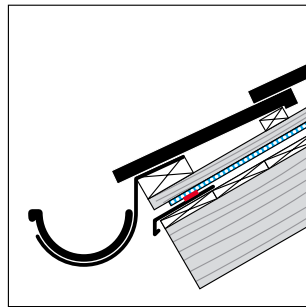
Roof lining membranes

Roof lining membranes are fitted to a fixed base, e.g. wooden planking. Because of their extremely high resistance to water (water column > 2500 mm), SOLITEX UD, PLUS and ULTRA are excellently suited to use as roof lining membranes. The gluing of the roof lining membrane increases the waterproof properties of the roof area.

It can be glued using the double-sided adhesive tape pro clima DUPLEX.



Eaves

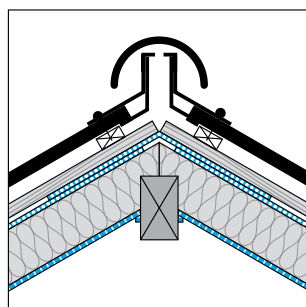


Position the pro clima SOLITEX sarking / roof lining membrane on a drip plate or eaves strips.

Glue the pro clima SOLITEX membrane to the plate using pro clima DUPLEX double-sided adhesive tape.

Leave ventilation gaps for the back ventilation of the roof membrane along the eaves. Ridge and rake ventilation.

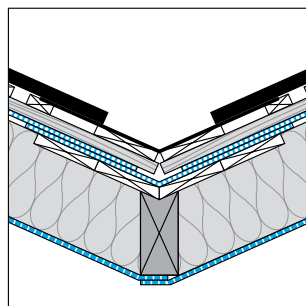
Ridge and rake



Guide the pro clima SOLITEX sarking / roof lining membrane along the roof ridge or rake (overlap approx. 10 cm).

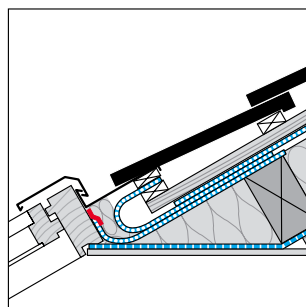
Ventilation openings are not required in any insulation material underneath (e.g. if the roof area is used for residential purposes). For uninhabited pitched roofs, ridge and rake ventilation is recommended.

Valley



Lay a pro clima SOLITEX film strip longitudinally along the middle of the valley (soaker strip). Attach it using staples or clout nails along the edge of the membrane. Overlap all membranes in this area.

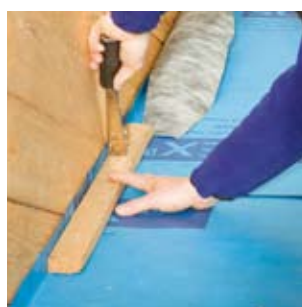
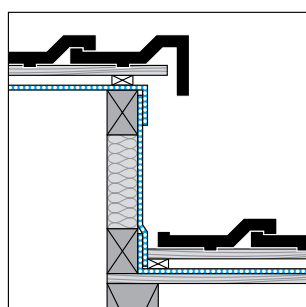
Penetration of Velux windows, chimneys, pipes and other roof fittings



Fit a film gutter by laying a pro clima SOLITEX membrane underneath the top membrane (before fitting the laths).

Fit a film gutter by laying a pro clima SOLITEX membrane underneath the top membrane (before fitting the laths).

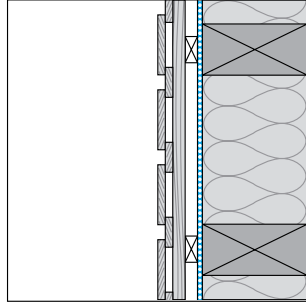
Dormer windows



Guide the pro clima SOLITEX sarking / roof lining membrane along the side of the dormer cheek.

Cover the protective membrane on the dormer cheek so that it carries water.

Laying wall area



The extremely high diffusion-permeability of the pro clima SOLITEX WA guarantees direct mounting onto the wall construction in all cases. This effectively prevents the formation of condensation. The pro clima SOLITEX WA membranes can be glued to one another using the double-sided pro clima DUPLEX

adhesive tape or single-sided pro clima RAPID CELL adhesive tape.



The pro clima SOLITEX WA is designed to be used under suspended façades and must not be exposed to outdoor conditions in the long term.



MOLL
bauökologische Produkte GmbH
Rheintalstraße 35 – 43
D-68723 Schwetzingen
Germany

phone: +49 (0)62 02 - 27 82.0
fax: +49 (0)62 02 - 27 82.21
e.mail: info@proclima.com
Internet: www.proclima.de