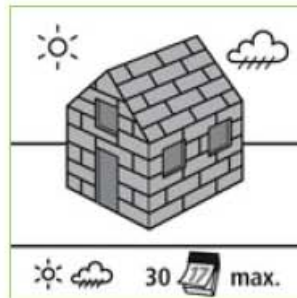
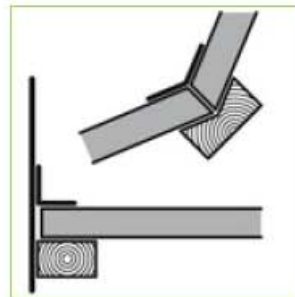
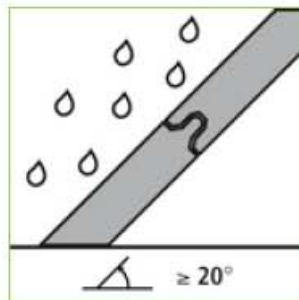


## General Information

Steico Universal can be utilised as a temporary weather covering for up to 4 weeks.



Steico Universal should be sealed using a windproof and watertight profile around its perimeter.

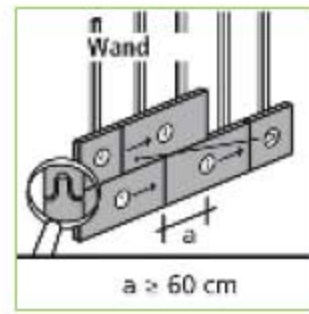
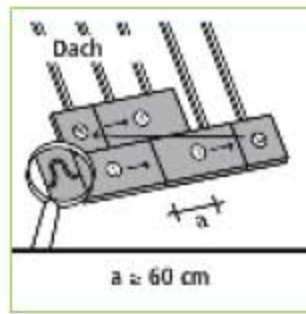
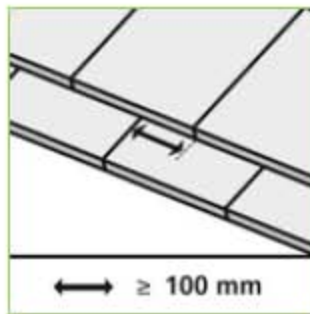


When used in Wall applications and in Roof pitches over 20 degrees there is no requirement for additional sealing materials at intermediate connections.

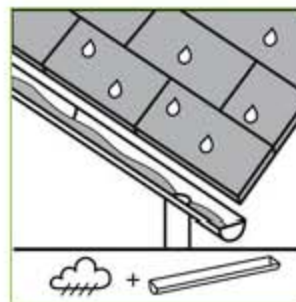
As Steico Universal is fully water vapour open there is no requirement for additional treatment to square cut edges.

The external face of Steico Universal should remain unobstructed to allow natural the passage of water vapour.

Starting in the lower left hand corner of, a given coverage area, the tongue profile should face upwards and the sanded face outwards. The offcut of the last board in a particular row should be used to start the next row. Boards should be offset by a minimum of one joist spacing, but a minimum of 600mm should be observed. It is acceptable to join boards between joist spacings.



Due to production methods the top face of Woodfibre Boards are often covered with a fine, invisible layer of sugars, lignins and fibres that can be dissolved by running water, and hence lead to staining of adjoining building components (ie: Windows, Rendering etc.). A controlled removal of rain water should therefore be undertaken during the construction process.



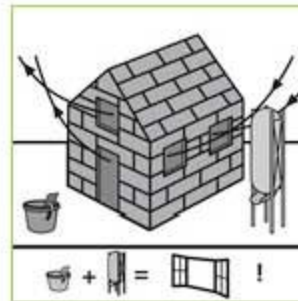
Due to the symmetrical tongue and groove profile, it is possible to reverse the profile, in order to reduce wastage.

Steico Universal is a water vapour open wood fibre board. The build up of condensation on the internal face, during construction, can hinder this breathability. Dampness in a building, for example caused by fresh Screed, Plaster or Paint, should be minimised as much as possible.

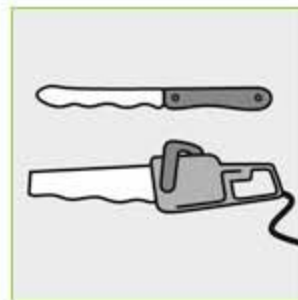
Connections to adjacent building materials, or connections of square cut edges, should be sealed using an appropriate tape, such as Moll (pro clima) or Ampack (BK535 with primer).

Fixing should be via a large flat head nail, with additional long term fixing via counter battens. The exact type, quantity and length of fixings depend on the exact application and structural requirements.

Steico Universal that has been exposed to water should be dried before further building works are undertaken. It is important to allow for sufficient ventilation.



The cutting of sheets, dependant on thickness, should be with the appropriate knife or with a saw.



Care should be taken to insure a clean and parallel cut where Steico Universal meets other building materials.

Steico wood fibre products should be protected from long term exposure to the elements.



In the case of blown insulations, the thickness of Steico Universal should be increased in order to minimise bowing of the product.