



HEATING WATER BUFFER TANK PR

for Production and Storage of hot water for space heating

Used to improve performance of heating systems. Allows utilization of up to 3 external heat sources and an internal electrical back-up heater.

Product Features

Range of volumes of 300-2500 liters

Upright storage tank made of steel S235JR

Primer coated on the outside

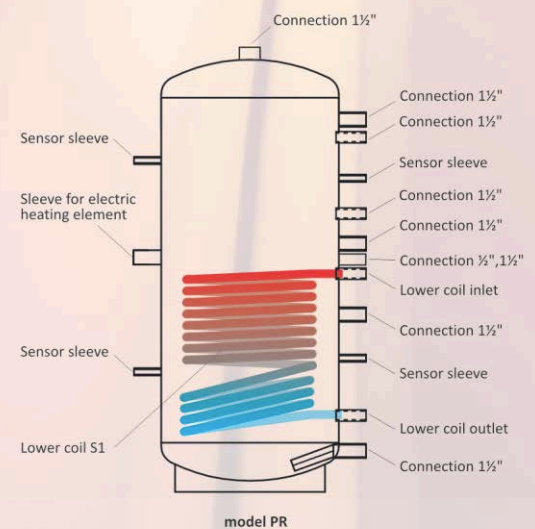
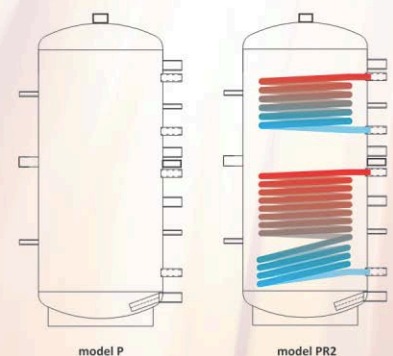
CFC free soft PU-foam insulation with thickness of 100 mm and PVC coating in RAL 9006 or other colors on demand

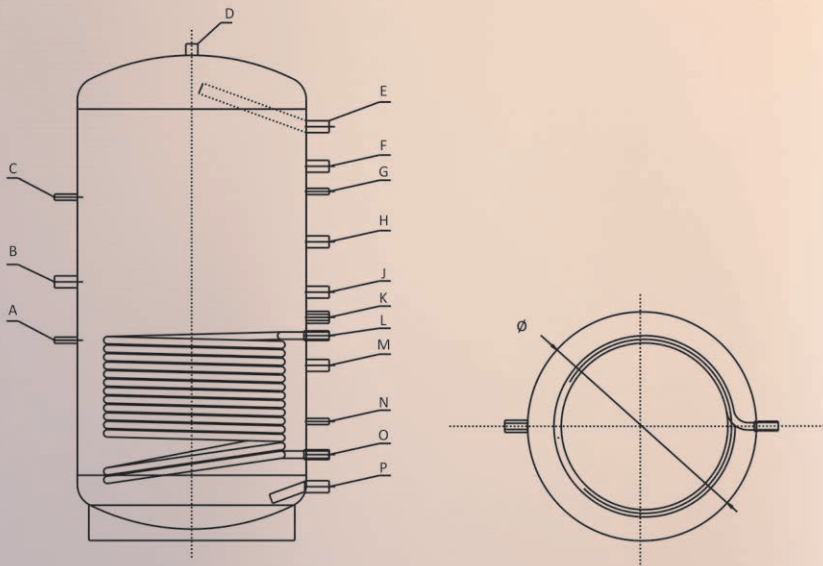
All threads are internal

A heat exchanger coil for connection to solar system

Option for installing a heating element as back-up source of heat

Compressive strength 3 bar





Technical specifications:

Model		PR 300	PR 500	PR 800	PR 1000	PR 1500	PR 2000	PR 2500
Volume	l	300	500	800	1000	1500	2000	2500
Diameter / w. insulation	mm	550/750	650/850	790/990	790/990	1000/1200	1150/1350	1150/1350
Height / w. insulation	mm	1410/1460	1610/1660	1860/1910	2040/2090	2170/2220	2200/2250	2680/2730
Mounting height	mm	1430	1640	1900	2075	2220	2260	2730
Lower coil S1 Heat exchanging surface	m ²	1.0	1.7	2.9	3.0	3.4	4.0	4.0
Volume	l	6.2	10.5	17.9	18.5	21.0	24.6	24.6
Operating pressure / Coil temperature	bar/°C	16/110	16/110	16/110	16/110	16/110	16/110	16/110
Operating pressure / Buffer temperature	bar/°C	3/95	3/95	3/95	3/95	3/95	3/95	3/95
Recommendable size of boiler connected to the buffer	kW	6-10	10-17	15-27	18-33	27-50	36-67	45-83
Sensor sleeve ½"	A	410	410	570	580	875	920	920
Sleeve for heating element 1½"	B	760	790	920	1130	1130	1170	1170
Sensor sleeve ½"	C	1060	1120	1290	1500	1500	1690	1690
Connection 1½"	D	1410	1610	1860	2040	2170	2200	2680
Connection 1½"	E	1170	1370	1573	1742	1808	1820	2300
Connection 1½"	F	-	-	1390	1520	1635	-	-
Sensor sleeve ½"	G	1010	1120	1290	1450	1525	1590	1670
Connection 1½"	H	880	990	-	-	1305	1420	1670
Connection 1½"	J	770	880	980	1060	1085	1170	1420
Connection ½", 1½"	K	-	-	-	-	975 (½")	-	1170 (1½")
Lower coil inlet 1"	L	660	770	820	880	895	980	980
Connection 1½"	M	540	620	670	730	765	735	735
Sensor sleeve ½"	N	420	460	465	495	520	500	500
Lower coil outlet 1"	O	260	250	310	310	375	380	380
Connection 1½"	P	150	150	170	170	235	230	230
Weight	kg	92	129	161	194	316	424	465

Manufacturer: NES Ltd.

12 Madara Blvd, 9700 Shumen, Bulgaria
 tel: +359 54 874 546, fax: +359 54 874 556
 e-mail: ftrade@sunsystem.bg
www.sunsystem.bg

Distributor:



Tel 0845 603 5688

info@ecomerchant.co.uk
www.ecomerchant.co.uk