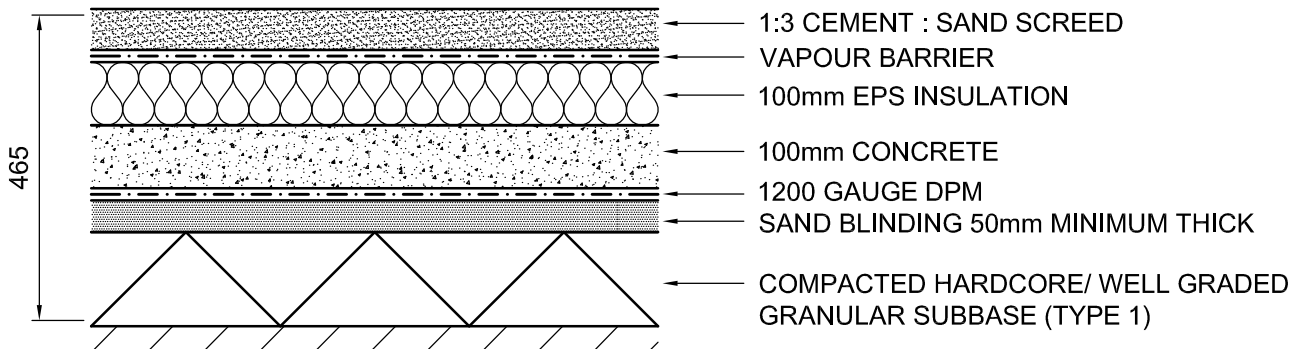


# DESIGN GUIDE

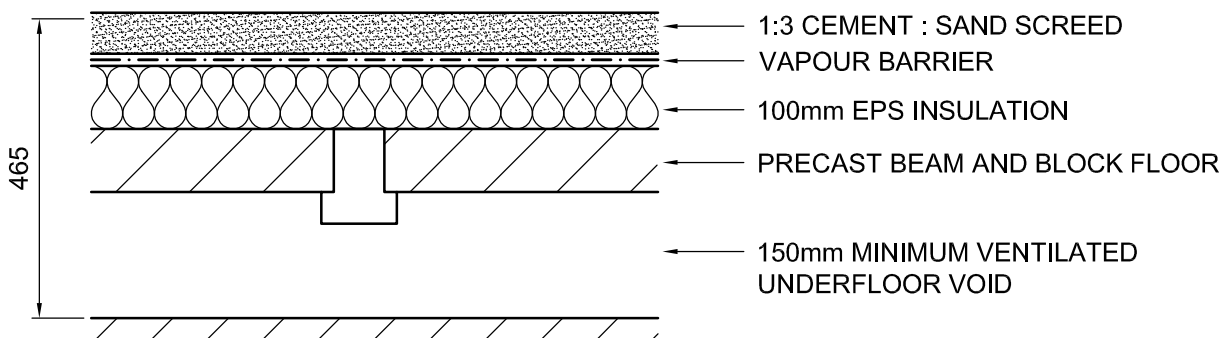
## APPLICATION: GROUND FLOOR CONSTRUCTION - DOMESTIC BUILDINGS

### CONVENTIONAL CONSTRUCTION (TYPICAL)

**A**



**OR B**



### THE ECOLOGICAL ALTERNATIVE - **TECHNOpor**<sup>®</sup> PERIMETER 50

