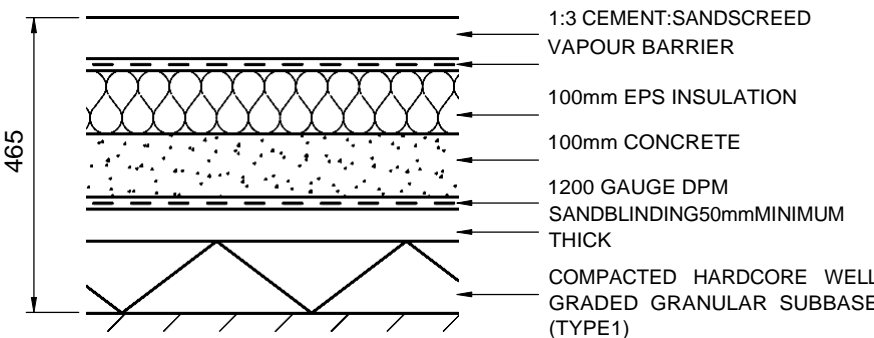
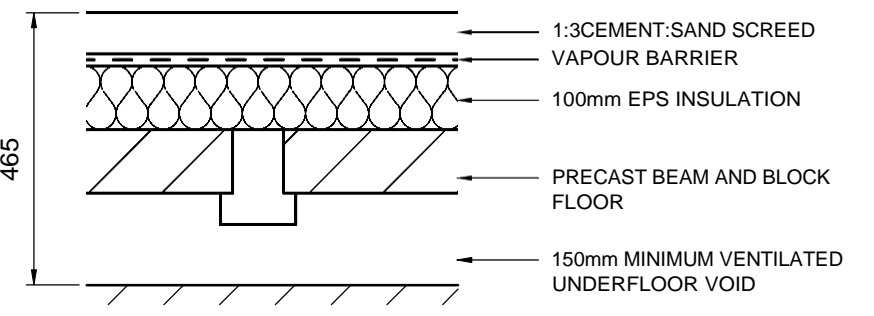
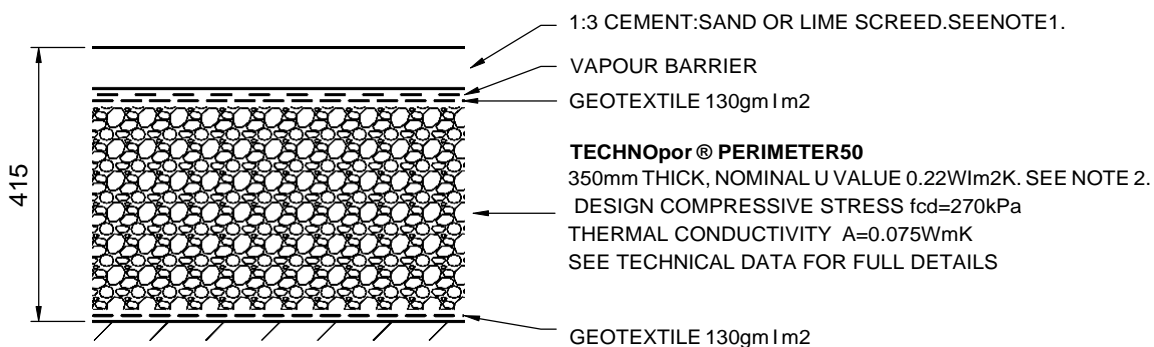


# DESIGN GUIDE

## APPLICATION: GROUND FLOOR CONSTRUCTION – DOMESTIC BUILDINGS

CONVENTIONAL CONSTRUCTION (TYPICAL)		TYPICAL PERCENTAGE SAVING IN TOTAL COSTS, INCLUDING LABOUR AND PLANT, WHEN USING TECHNOpor®
<b>A</b>		<p><b>TECHNOpor</b></p> <p><b>24%</b></p> <p>more cost affective</p>
<b>B</b>		<p><b>TECHNOpor</b></p> <p><b>3%</b></p> <p>more cost affective</p>

### THE ECOLOGICAL ALTERNATIVE - TECHNOpor® PERIMETER50



**NOTES:**

1. FLOOR SPECIFICATION AND FINISHES TO ARCHITECT'S DETAILS.
2. ACTUAL U VALUE IS SUBJECT TO SEPARATE ASSESSMENT WHICH TYPICALLY DEMONSTRATES AN IMPROVED THERMAL PERFORMANCE AND POTENTIAL REDUCTION IN THICKNESS OF TECHNOpor®.