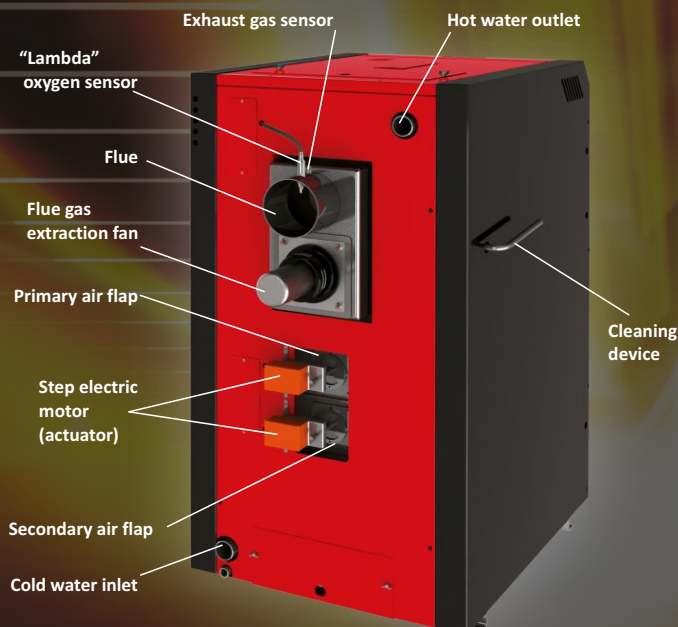
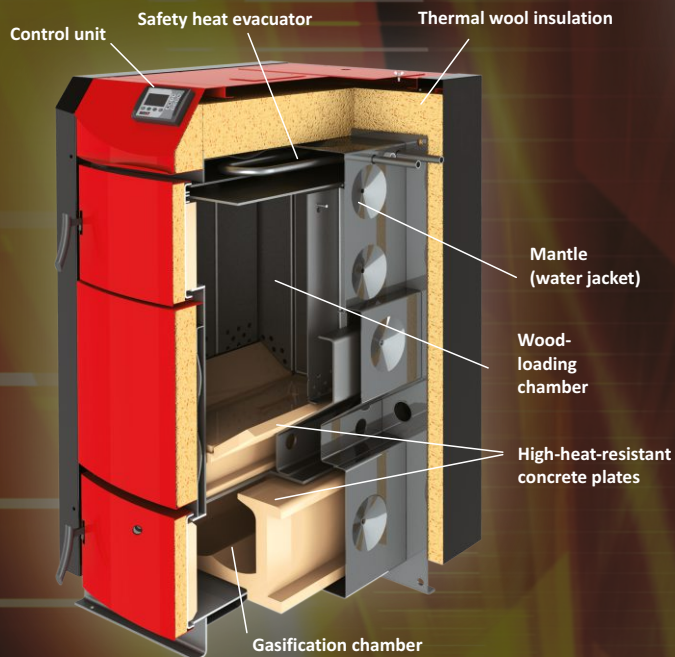


## Wood gasifying boiler BURNIT PyroBurn Lambda

A highly-efficient wood gasifying boiler, designed for economical and ecological heating of living and industrial spaces.

The PyroBurn Lambda boiler provides intuitive operation interface, "Lambda" oxygen sensor and heat output regulation as well as sophisticated safety systems.

Approved for compliance with EN - 303-5 - class 5



### Product Features

MCU controller drives carbon emissions to minimum. Capability to control the components of a complex heating system.

Lambda oxygen sensor

Exhaust gas sensor

Open boiler door sensor prevents from smoke pollution when refueling.

Fine regulation mechanism of the air flow driven by two step motors

Flue gas extraction fan

Cleaning device

Large firebox door ensures easy loading (length of logs up to 50 cm)

Combustion chamber protected on all sides by high-heat-resistant concrete plates

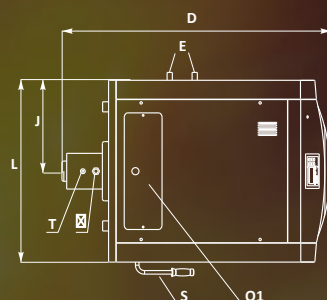
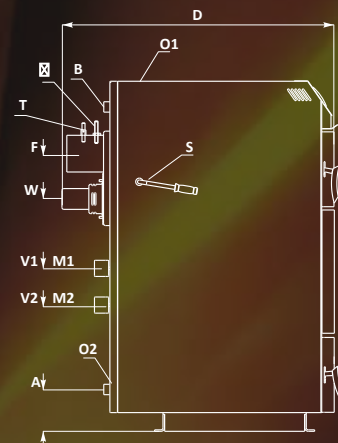
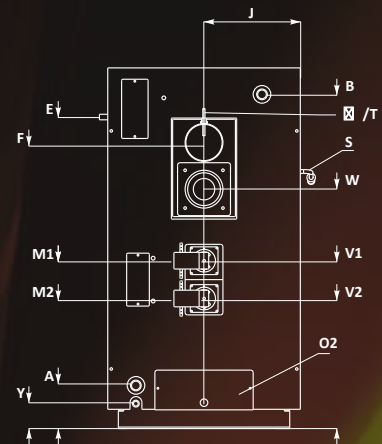
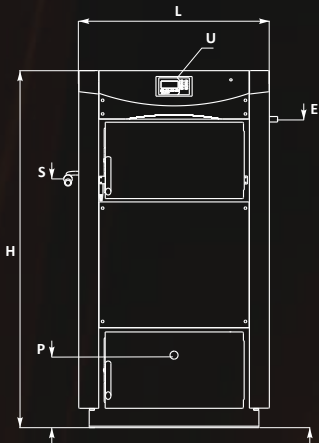
### Safety devices

- 1) The fan is electronically controlled in accordance with the water and flue gas temperatures (STB thermostat);
- 2) Safety evacuator - a water-filled circuit passes through the upmost part of the boiler body. In case of overheating it may be triggered open by a thermostatic valve (not included) to evacuate the heat off the boiler.\*
- 3) Pressure relief valve 3 bar.

\* This device must be connected to the water supply by means of a thermostatic valve.

### Technical characteristics:

Model		PB Lambda 25	PB Lambda 30
Heat output	kW	10÷20	15÷30
Heating surface	m <sup>2</sup>	150÷250	150÷300
Height H	mm	1285	1435
Width L/ Depth D	mm	675/1130	765/1130
Mantle volume	L	75	85
Combustion chamber volume	L	90	163
Combustion chamber resistance	Pa/mbar	12/0.12	11/0.11
Required chimney draught	Pa	10÷15	10÷15
Power supply/ consumption	V/Hz/W	230/50/85	230/50/85
Loading door size	mm	400/200	490/260
Max. length of firewood logs	mm	500	500
Recommended fuel		wood, humidity 15%; wood briquettes	
Fuel consumption for heating season	m <sup>3</sup>	~10÷20	~15÷23
Burning time partial/full load	h	10/6	14/8
Operating temp. range/Max.temp.	°C	65÷85/95	65÷85/95
Exhaust gas temperature (operat. mode)	°C	130÷150	130÷150
Buffer tank volume	L	1000	1956
Operating pressure	bar	3	3
Weight	kg	490	610
Cold water inlet	A, mm	G1¼"/160	G1¼"/170
Hot water outlet	B, mm	G1¼"/1185	G1¼"/1325
Safety heat evacuator inlet/outlet	E, mm	R½"/1090	R½"/1160
Flue	F, mm	ø150/1000	ø150/1075
	J, mm	338	382
Cleaning opening	upper O1, mm	400/140	455/120
	lower O2, mm	350/140	350/140
Drain	Y, mm	G½"/87	G½"/100
Air intake	Primary air V1, mm	595	665
	Secondary air V2, mm	440	515
Step electric motor (actuator)	M1, mm	595	665
	M2, mm	440	515
Flue gas extraction fan	W, mm	815	890
"Lambda" oxygen sensor	☒	✓	✓
Exhaust gas sensor	T	✓	✓
Cleaning device	S	✓	✓
Combustion viewer	P	✓	✓
Controller	U	✓	✓



#### NES Ltd.

12 Madara Blvd, 9700 Shumen, Bulgaria  
 tel: +359 54 874 546, fax: +359 54 874 556  
 e-mail: [ftrade@sunsystem.bg](mailto:ftrade@sunsystem.bg)  
[www.sunsystem.bg](http://www.sunsystem.bg)

#### Distributor:



Tel 0845 603 5688  
[info@ecomerchant.co.uk](mailto:info@ecomerchant.co.uk)  
[www.ecomerchant.co.uk](http://www.ecomerchant.co.uk)