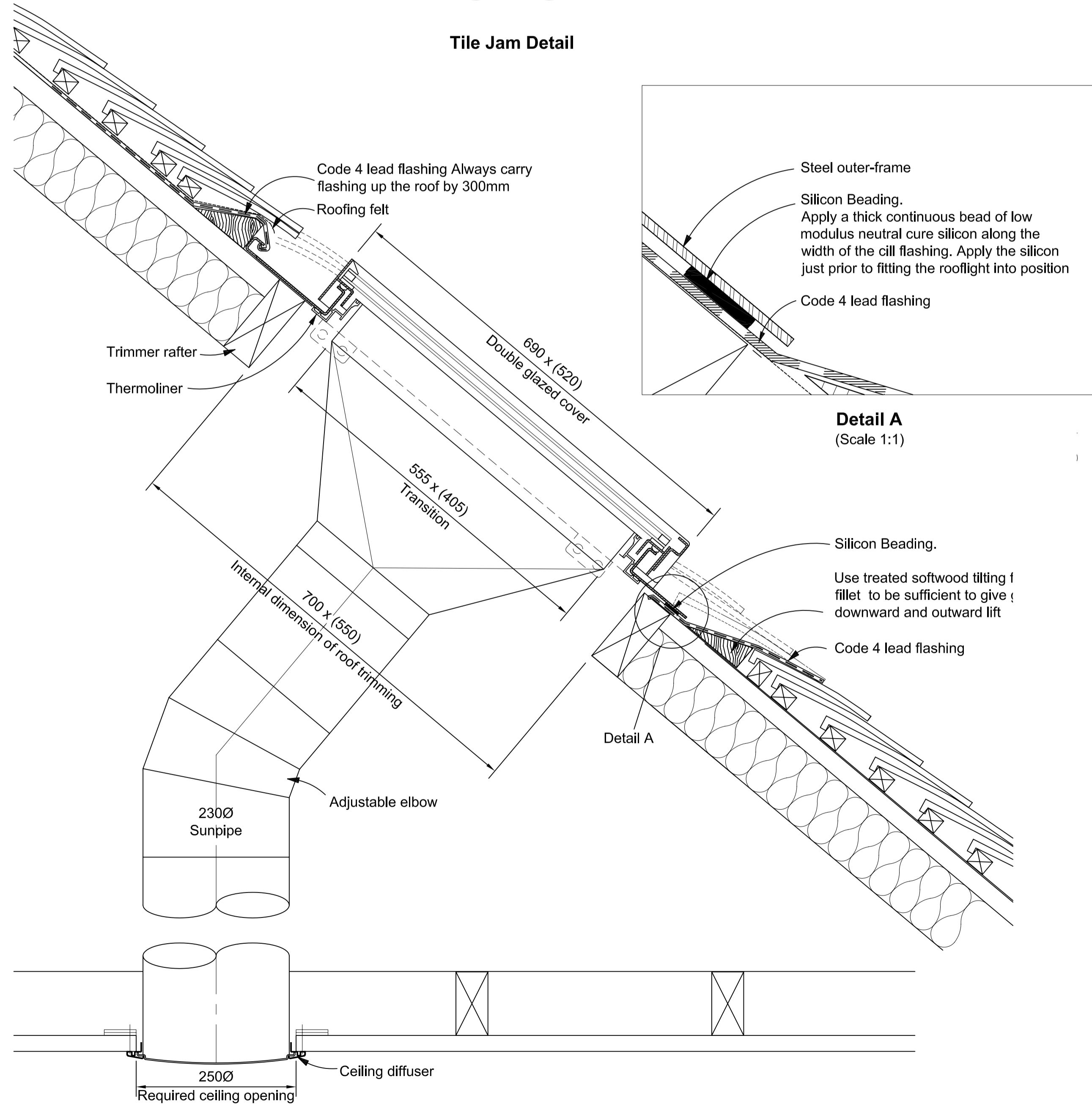
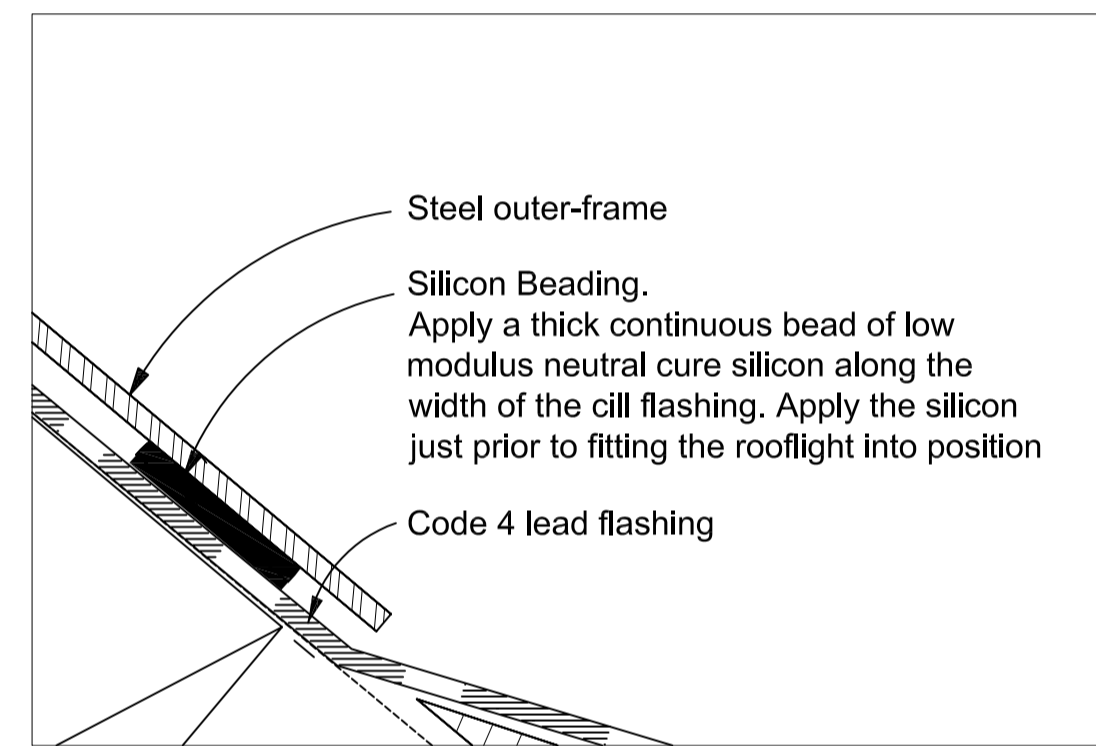


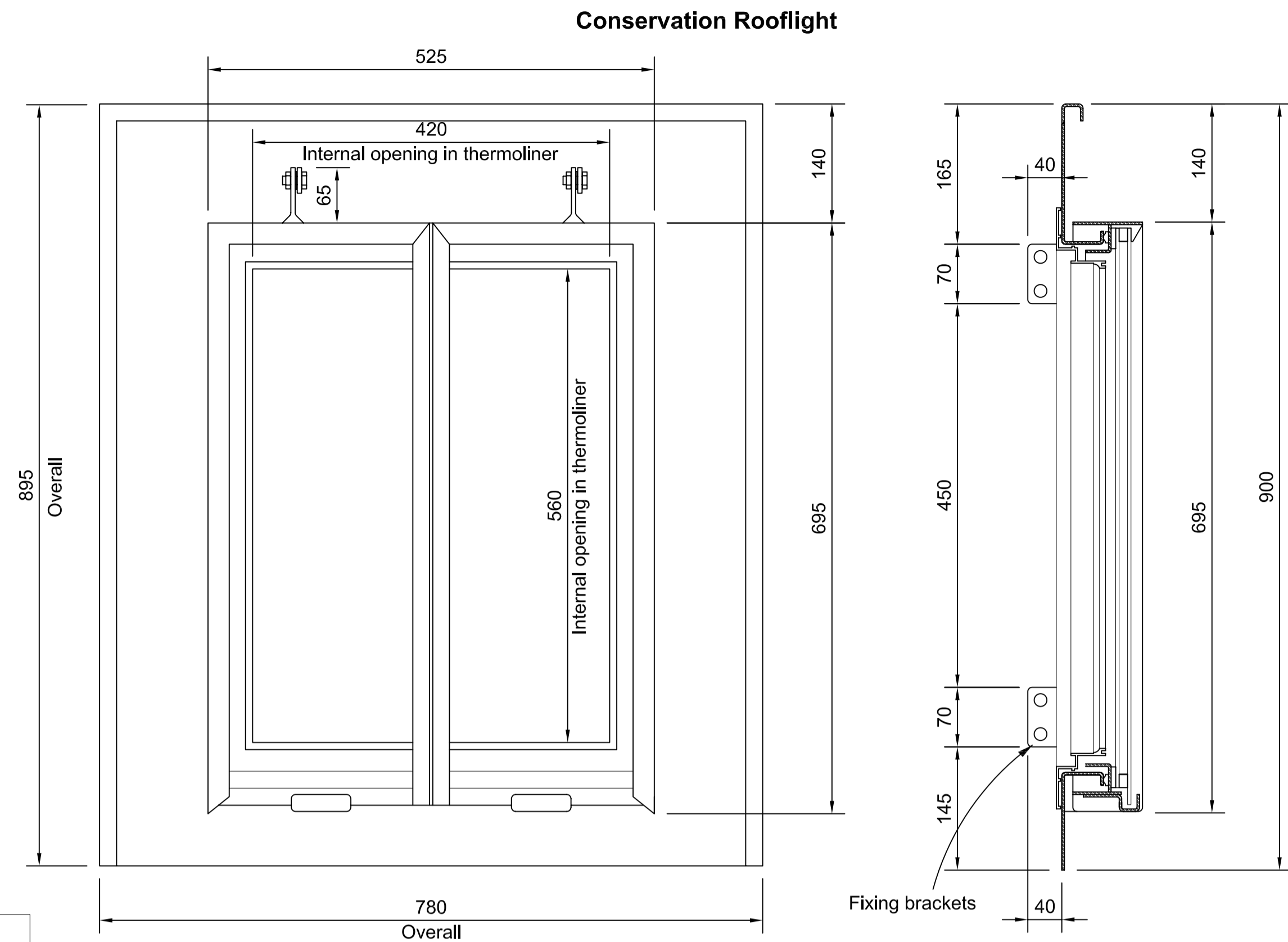
**Tile Jam Detail**



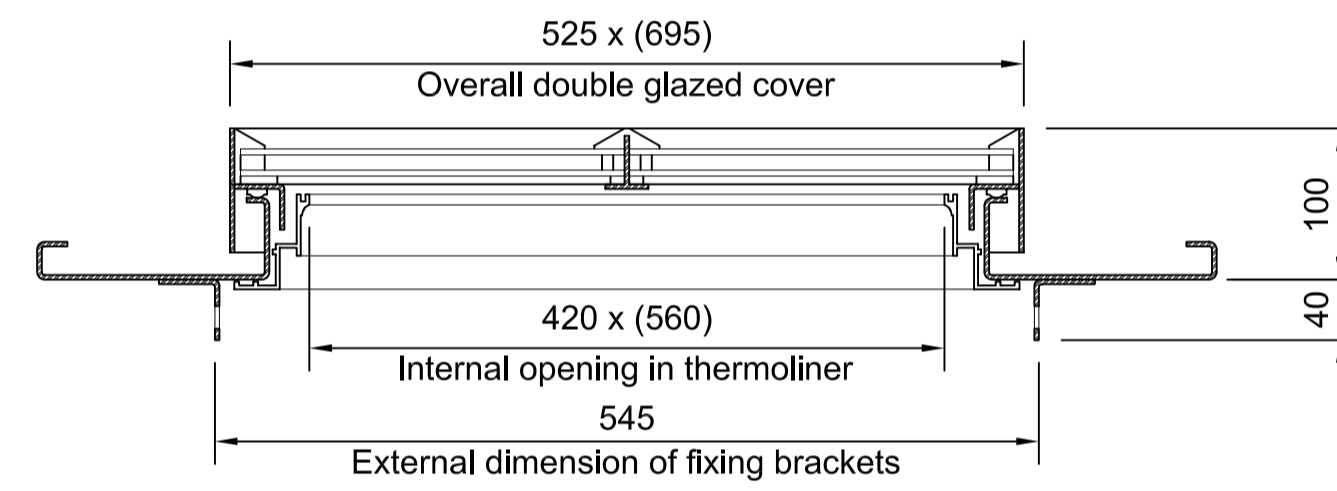
**Section**



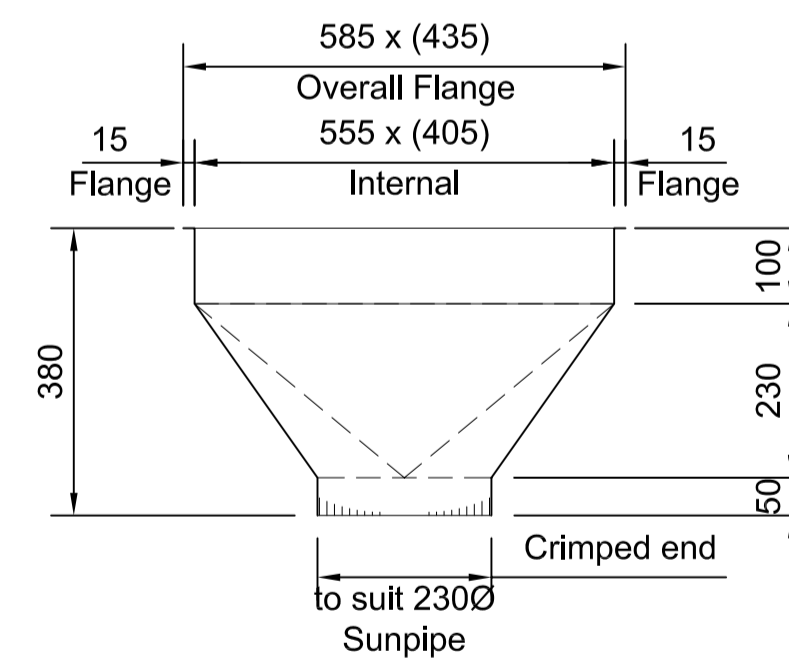
**Detail A**  
(Scale 1:1)



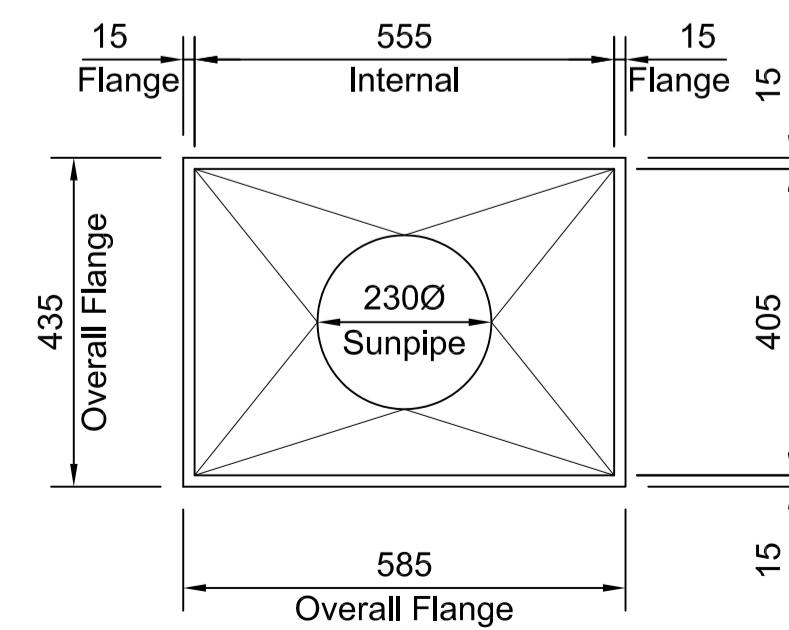
**Conservation Rooflight**



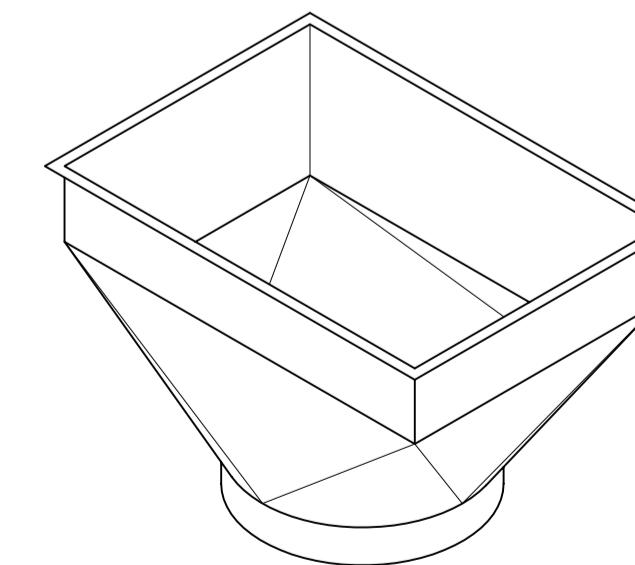
**Conservation Sunpipe transition details to suit 2300 Sunpipe systems**  
(Scale 1:10)



**Section**



**Plan**



**Isometric view**

**NOTES**

All dimensions are in millimetres, unless otherwise stated.  
All dimensions to be checked on site prior to commencement of any work.  
© Copyright protected. No part of this drawing may be reproduced without prior consent of Monodraught Ltd.

Rev/ date	AMENDMENTS	CHECKED

CHECKED BY	
<b>Monodraught Ltd.</b>	
Halifax House Cressex Business Park High Wycombe Buckinghamshire HP12 3SE Tel: 01494 897700 Fax: 01494 532465	
DESCRIPTION Conservation 230 Sunpipe Installation, Rooflight & Transition Details to suit Pitched Plain Tiled Roof Application	
CLIENT	
-	
SPECIFIER	
-	
SHEET 1 OF 1 SHEETS	
DRAWN BY PDA	OUR REF: -
DATE 11.08.05	SCALE 1:1 / 1:5 / 1:10 @ A1
DRAWING No. 218	