



REHAU EVERLOC[™]

HEATING AND PLUMBING PARTS LIST

REHAU EVERLOC™

HEATING AND PLUMBING PARTS LIST

Contents List

RAUTHERM Universal Pipe and Fittings	3
REHAU Compression Sleeve Tooling	22



By selecting REHAU products and services you can benefit from the substantial resources at our disposal. Applications knowledge, quality products and customer support are just some of them.

Recognised for both quality and high performance, the REHAU EVERLOC™ Heating and Plumbing System is the ideal solution for hot and cold water, central heating and underfloor heating systems.

The system combines the advantages of high technology polymer materials with the benefits of an integrated range of pipe and fittings.

- **Flexibility and rapid fix fittings save installation time**
- **REHAU EVERLOC™ high integrity jointing system**

- **Pipe in pipe saves duct costs**
- **Extensive fittings range**
- **No corrosion or limescale**
- **Quiet operation**
- **All REHAU products are manufactured to ISO 9001 standards**
- **WRAS listed**

The result is outstanding products which will perform long into the future, with major benefits for specifier, installer and client. For more information regarding the REHAU Heating and Plumbing System - or any of our other products and services contact one of our Regional Sales Offices.

REHAU Flexible Pipe for Heating and Plumbing Applications

RAUTHERM UNIVERSAL

Material: RAU-VPE (PE-Xa)

High density cross linked polyethylene with EVAL barrier coating to prevent oxygen diffusion.

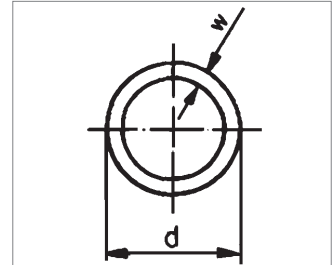
Maximum Operating pressure: 6 Bar 95°C

Approvals:

BS 7291:1990. WRAS listed. DIN 1682/ DIN 4726.

Supplied in coils and cut lengths.

Colour: Red



Article No.	Description	Length m	Dimensions		Weight kg/m	Delivery Unit
			O/D mm	Wall-w mm		
136430	RAUTHERM Universal pipe 16x1.5	6	16	1.5	0.078	Bundle of 10
136430	RAUTHERM Universal pipe 16x1.5	100	16	1.5	0.078	Carton
136430	RAUTHERM Universal pipe 16x1.5	240	16	1.5	0.078	Carton
136430	RAUTHERM Universal pipe 16x1.5	490	16	1.5	0.078	Pallet
136450	RAUTHERM Universal pipe 20x1.9	6	20	1.9	0.119	Bundle of 10
136450	RAUTHERM Universal pipe 20x1.9	100	20	1.9	0.119	Carton
136450	RAUTHERM Universal pipe 20x1.9	200	20	1.9	0.119	Carton
136450	RAUTHERM Universal pipe 20x1.9	500	20	1.9	0.119	Rolls
138101	RAUTHERM Universal pipe 25x2.3	6	25	2.3	0.178	Bundle of 5
138101	RAUTHERM Universal pipe 25x2.3	25	25	2.3	0.178	Carton
138101	RAUTHERM Universal pipe 25x2.3	50	25	2.3	0.178	Coil
136241	RAUTHERM Universal pipe 32x2.9	6	32	2.9	0.28	Bundle of 5
136241	RAUTHERM Universal pipe 32x2.9	25	32	2.9	0.28	Coil
136241	RAUTHERM Universal pipe 32x2.9	50	32	2.9	0.28	Carton

Sealing caps are available to special order

REHAU Pipe for Plumbing Applications 40-63mm

RAU HIS

Material: RAU-VPE (PE-Xa)

High density cross linked polyethylene with barrier to block UV and other light.

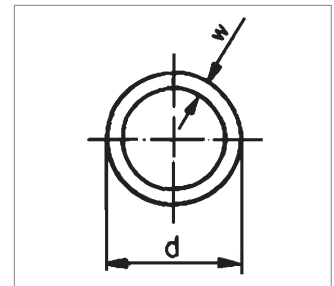
Maximum Operating pressure: 6 Bar 95°C

Approvals:

BS 7291:1990. WRAS listed.

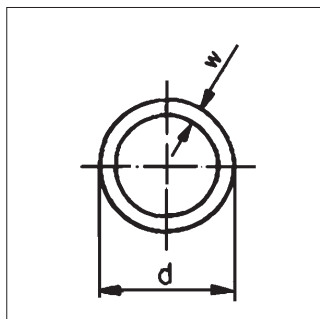
Supplied in cut lengths in PE Bags.

Colour: Silver



Article No.	Description	Length m	Dimensions		Weight kg/m	Delivery Unit
			O/D mm	Wall-w mm		
139350	RAU HIS 40 x 3.7	12	40	3.7	0.420	Single length
139350	RAU HIS 40 x 3.7	50	40	3.7	0.420	Carton
139360	RAU HIS 50 x 4.6	6	50	4.6	0.650	Single length
139360	RAU HIS 50 x 4.6	50	50	4.6	0.650	Carton
139370	RAU HIS 63 x 5.8	6	63	5.8	1.020	Single length

RAUTHERM UNIVERSAL PIPE AND FITTINGS



REHAU Pipe for Heating Applications 40-63mm

RAUTHERM FW

Material: RAU-VPE (PE-Xa)

High density cross linked polyethylene with EVAL barrier coating to prevent oxygen diffusion.

Maximum Operating pressure: 6 Bar 95°C

Approvals:

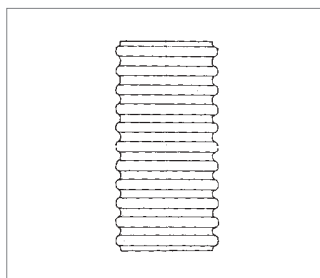
WRAS Listed.

DIN 1682/ DIN 4726.

Supplied in cut lengths, in PE bags.

Colour: Light Red (no opacity barrier)

Article No.	Description	Length m	Dimensions		Weight kg/m	Delivery Unit
			O/D mm	Wall-w mm		
136502	RAUTHERM FW 40 x 3.7	5	40	3.7	0.451	Single length
136512	RAUTHERM FW 50 x 4.6	5	50	4.6	0.698	Single length
136522	RAUTHERM FW 63 x 5.8	5	63	5.8	1.069	Single length



REHAU Corrugated Sleeve

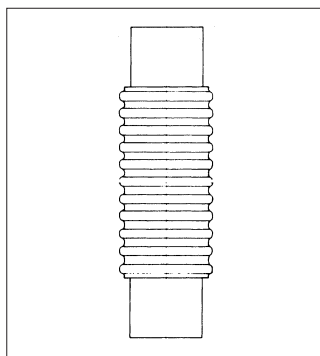
Material: PE-Xa

Supplied in coils.

To protect RAUTHERM Universal piping and enable removal when embedded in screed. To protect where pipes are fed into the heating circuit distribution header or routed across movement joints.

Colour: Black

Article No.	Description	O/D mm	Weight kg/m	Roll Length
137140	Corrugated conduit, PE for RAUTHERM 16mm pipe	24	0.077	50
137150	Corrugated conduit, PE for RAUTHERM 20mm pipe	28	0.092	50
137160	Corrugated conduit, PE for RAUTHERM 25mm pipe	34	0.108	25
137170	Corrugated conduit, PE for RAUTHERM 32mm pipe	42	0.160	25



REHAU Heating and Plumbing Pipe

RAUTHERM Universal

In corrugated plastic sleeve - pipe in pipe.

Colour:

RAUTHERM pipe - Red

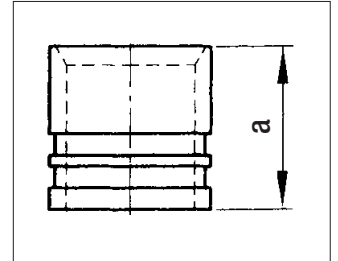
Corrugated plastic sleeve PE - Black

Article No.	Description	O/D mm	Weight kg/m	Roll Length
139380	RAUTHERM Universal 16mm pipe in pipe	24	0.148	50
139390	RAUTHERM Universal 20mm pipe in pipe	29	0.211	50

RAUTHERM UNIVERSAL PIPE AND FITTINGS

REHAU Compression Sleeves

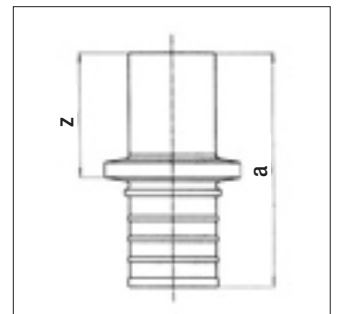
Material: Brass



Article No.	Description	Dimensions mm		Weight kg/each	Bags	Cartons
		a				
139552	Compression sleeve 16	20		0.020	10	100
139562	Compression sleeve 20	20		0.030		100
139572	Compression sleeve 25	27		0.040		50
139492	Compression sleeve 32	35		0.090		50
138683	Compression sleeve 40	37		0.13		25
138693	Compression sleeve 50	44		0.29		25
138703	Compression sleeve 63	53		0.44		25

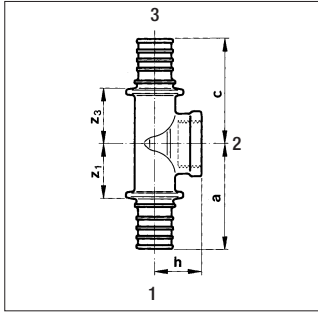
REHAU Male Copper Adaptors

Material: DZR Brass: dezincification resistant brass fitting



Article No.	Description	Dimensions mm		Weight kg/each	Bags	Cartons
		a	z			
139212	15mm Male copper-16 PE-Xa pipe	49.5	31.5	0.32	10	50
139252	15mm Male copper-20 PE-Xa pipe	49.5	31.5	0.38	10	50
139352	22mm Male copper-20 PE-Xa pipe	57.5	39.5	0.53	10	50
139262	22mm Male copper-25 PE-Xa pipe	57	31.5	0.54	10	50
137593	28mm Male copper-25 PE-Xa pipe	67.5	42	0.089	10	50
139762	28mm Male copper-32 PE-Xa pipe	66	35	0.113	3	30

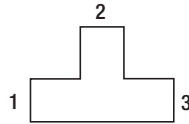
RAUTHERM UNIVERSAL PIPE AND FITTINGS



REHAU Tees - Female Iron Centre

Material: DZR Brass: dezincification resistant brass fitting

Please note – Outlet dimensions given in order shown below.



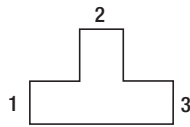
Article No.	Description	Dimensions mm					Weight kg/each	Bags	Cartons
		a	h	c	z1	z3			
138513	Tee 16-1/2" F-16	45	23.5	45	27	27	0.200	10	50
138523	Tee 20-1/2" F-20	45	24.5	45	27	27	0.200	10	50
244482	Tee 25-1/2" F-25	45	24.5	45	27	27	0.200	10	50
138533	Tee 25- 3/4" F-25	56	25.5	56	30.5	30.5	0.250	10	50
244492	Tee 32-1/2" F-32	66.5	30	66.5	35.5	35.5	0.480	3	30
244502	Tee 32-3/4" F-32	66.5	30	66.5	35.5	35.5	0.480	-	1
138543	Tee 32-1" F-32	66.5	30	66.5	35.5	35.5	0.480	3	30
244512	Tee 40-1/2" F-40	63	30.5	63	38	40.5	0.648	-	1
244522	Tee 40-3/4" F-40	67	36.5	67	38	24.5	0.648	-	1
138723	Tee 40-1" F-40	72	36.5	74.5	38	40.5	0.648	-	1
138713	Tee 40-1" F-32	72	36.5	63.5	38	38.5	0.566	-	1
244532	Tee 50-1/2" F-50	70	42.5	70	29	30.5	0.936	-	1
244542	Tee 50-3/4" F-50	74	42.5	74	33	33	0.936	-	1
138733	Tee 50-1" F-50	84.5	42.5	86.5	43.5	45.5	0.936	-	1
138753	Tee 50-1 1/4" F-50	84.5	42.5	86.5	43.5	45.5	1.000	-	1
138743	Tee 50-1 1/4" F-40	84.5	42.5	79.5	43.5	45.5	0.921	-	1
244552	Tee 63-1/2" F-63	82	48.5	82	36	36	1.576	-	1
244562	Tee 63-3/4" F-63	85	48.5	85	35	35	1.576	-	1
244572	Tee 63-1" F-63	89.5	48.5	89.5	39.5	39.5	1.576	-	1
138763	Tee 63-1 1/4" F-63	97	48.5	97	47	47	1.576	-	1

For critical projects, it is recommended to check with your sales office for the latest stock position.

RAUTHERM UNIVERSAL PIPE AND FITTINGS

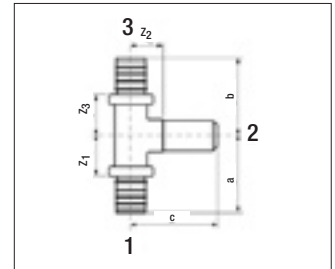
REHAU PE-X Male Copper Tees

Material: DZR Brass: dezincification resistant brass fitting



Please note

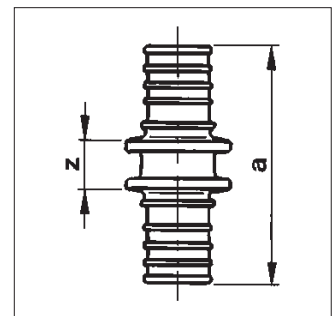
- Fittings only suitable for soft soldering and standard compression ring fittings
- Outlet dimensions given in order shown aside.



Article No.	Description	Dimensions mm						Weight kg/each	Bags
		a	b	c	z1	z2	z3		
130039	Tee 16 - 16 - 15Cu male	38.25	38.25	43	20.25	25	11.25	0.170	10
130049	Tee 16 - 15Cu male - 16	38.25	38.25	42.5	20.25	15.5	20.25	0.170	10
130059	Tee 20 - 22Cu male - 20	40.25	40.25	43	22.25	20	22.25	0.200	10

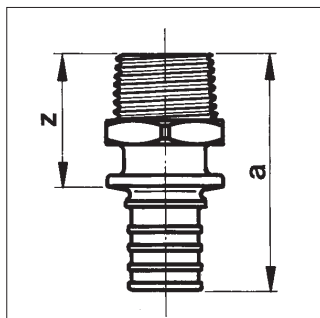
REHAU Couplers

Material: DZR Brass: dezincification resistant brass fitting



Article No.	Description	Dimensions mm		Weight kg/each	Bags	Cartons
		a	z			
139272	Straight coupling 16/16	53	17	0.070	10	50
139282	Straight coupling 20/20	53	17	0.080	10	50
139292	Straight coupling 25/25	67	16	0.105	10	50
139302	Straight coupling 32/32	80	18	0.185	3	30
138823	Straight coupling 40/40	92	24	0.423	5	25
138833	Straight coupling 50/50	106	27	0.571	-	1
138843	Straight coupling 63/63	127	22	0.979	-	1
139312	Reducing coupling 20/16	53	17	0.050	10	50
139322	Reducing coupling 25/16	60.5	17	0.075	10	50
139332	Reducing coupling 25/20	60.5	17	0.080	10	50
139342	Reducing coupling 32/25	73.5	17	0.150	3	30
138853	Reducing coupling 40/32	87	24	0.290	5	25
138863	Reducing coupling 50/40	99	24	0.499	-	1
138873	Reducing coupling 63/50	116.5	25.5	0.801	-	1

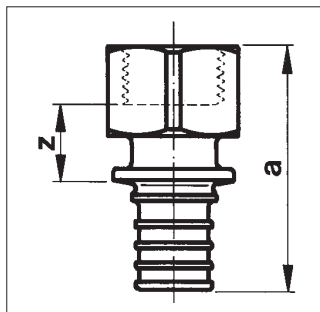
RAUTHERM UNIVERSAL PIPE AND FITTINGS



REHAU Male Iron Adaptors

Material: DZR Brass: dezincification resistant brass fitting

Article No.	Description	Dimensions mm		Weight kg/each	Bags	Cartons
		a	z			
139432	PE-Xa pipe 16 - 1/2" M	51	33	0.085	10	50
139442	PE-Xa pipe 20 - 1/2" M	54	36	0.075	10	50
139452	PE-Xa pipe 20 - 3/4" M	53	35	0.095	10	50
139462	PE-Xa pipe 25 - 3/4" M	63	37.5	0.120	10	50
139472	PE-Xa pipe 25 - 1" M	62.5	37	0.155	10	50
139482	PE-Xa pipe 32 - 1" M	62	31	0.225	3	30
138883	PE-Xa pipe 40 - 1 1/4" M	82	48	0.355	5	25
138893	PE-Xa pipe 50 - 1 1/4" M	89	48	0.485	-	1
138903	PE-Xa pipe 50 - 1 1/2" M	89	48	0.502	-	1
138913	PE-Xa pipe 63 - 2" M	105	55	0.730	-	1



REHAU Female Iron Adaptors

Material: DZR Brass: dezincification resistant brass fitting

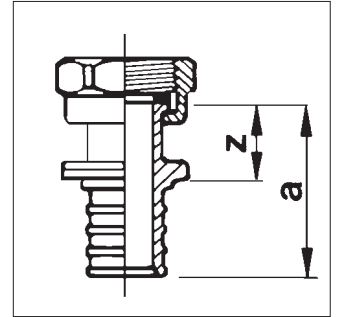
Article No.	Description	Dimensions mm		Weight kg/each	Bags	Cartons
		a	z			
137633	PE-Xa pipe 16 - 1/2" F	52.5	19.5	0.085	10	50
137643	PE-Xa pipe 20 - 1/2" F	52.5	19.5	0.090	10	50
137653	PE-Xa pipe 20 - 3/4" F	54.5	20	0.105	10	50
137663	PE-Xa pipe 25 - 3/4" F	61	19	0.155	10	50
137673	PE-Xa pipe 25 - 1" F	65.5	20.5	0.165	10	50
137683	PE-Xa pipe 32 - 1" F	70.5	20	0.230	3	30

RAUTHERM UNIVERSAL PIPE AND FITTINGS

REHAU Straight Tap Connector (swivel)

Material: DZR Brass: dezincification resistant brass fitting

Complete with washers.

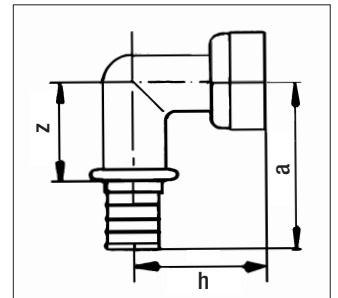


Article No.	Description	Dimensions mm		Weight kg/each	Bags	Cartons
		a	z			
139402	16 - 1/2" F	42.5	24.5	0.050	10	50
137753	20 - 1/2" F	43	25	0.060	10	50
137763	16 - 3/4" F	43.5	25.5	0.055	10	50
139412	20 - 3/4" F	43	25	0.070	10	50
138563	25 - 3/4" F	43	17.5	0.085	10	50
138573	25 - 1" F	43	17.5	0.095	10	50

REHAU Bent Tap Connectors (swivel)

Material: DZR Brass: dezincification resistant brass fitting

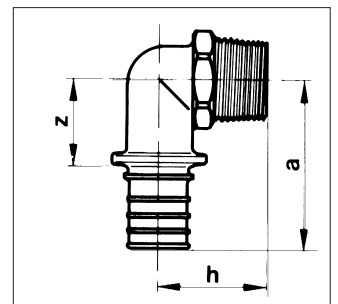
Complete with washers.



Article No.	Description	Dimensions mm			Weight kg/each	Bags	Cartons
		a	h	z			
139542	16 - 1/2" F	46	29.6	28	0.090	10	50
137773	20 - 3/4" F	49	31.2	31	0.120	10	50

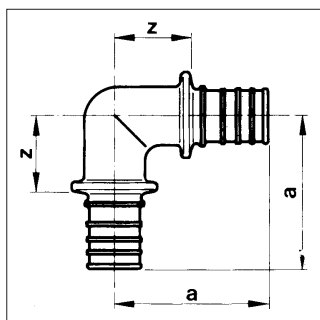
REHAU 90° Male Iron Adaptors

Material: DZR Brass: dezincification resistant brass fitting



Article No.	Description	Dimensions mm			Weight kg/each	Bags	Cartons
		a	h	z			
137603	PE-Xa pipe 16 - 1/2" M	43.5	30	25.5	0.080	10	50
138553	PE-Xa pipe 20 - 1/2" M	43.5	30	27	0.095	10	50
137613	PE-Xa pipe 20 - 3/4" M	47.5	33.5	28.5	0.115	10	50
137623	PE-Xa pipe 25 - 3/4" M	54	36.5	28.5	0.180	10	50

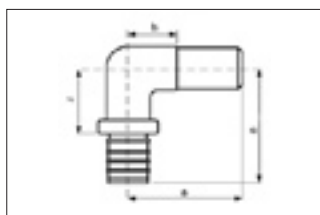
RAUTHERM UNIVERSAL PIPE AND FITTINGS



REHAU 90° Elbows

Material: DZR Brass: dezincification resistant brass fitting

Article No.	Description	Dimensions mm		Weight kg/each	Bags	Cartons
		a	z			
139502	Elbow 16mm	42	24	0.120	10	50
139512	Elbow 20mm	44	26	0.145	10	50
139522	Elbow 25mm	53.5	28	0.165	10	50
139532	Elbow 32mm	64	33	0.295	3	30
138923	Elbow 40mm	74	40	0.719	-	1
138933	Elbow 50mm	87	46	0.821	-	1
138943	Elbow 63mm	106	56	1.771	-	1



REHAU PE-X Male Copper Elbows

Material: DZR Brass: dezincification resistant brass fitting

Please note

– Fittings only suitable for soft soldering and standard compression ring fittings.

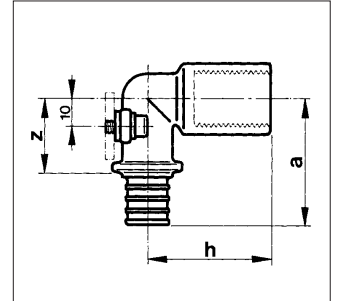
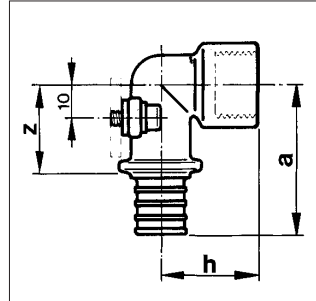
Article No.	Description	Dimensions mm			Weight kg/each	Bags
		a	h	z		
130009	PE-Xa pipe 16 - 15mm male copper	42	26	32	0.120	10
130019	PE-Xa pipe 20 - 22mm male copper	44	29.75	35.75	0.145	10
130029	PE-Xa pipe 25 - 28mm male copper	53.5	40	40	0.165	10

RAUTHERM UNIVERSAL PIPE AND FITTINGS

REHAU Wall Plate Elbow - Female

Material: DZR Brass: dezincification resistant brass fitting

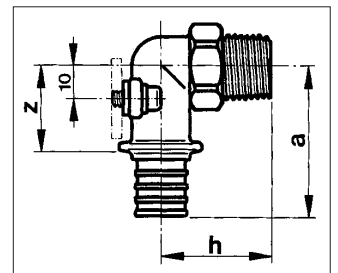
Short and long threaded elbows.



Article No.	Description	Dimensions mm				Weight kg/each	Bags	Cartons
		a	b	z	h			
138473	Elbow long 16 - 1/2" F	46	10	28	45	0.151	10	50
138483	Elbow long 20 - 1/2" F	46.5	10	28.5	45	0.161	10	50
137693	Elbow short 16 - 1/2" F	46.5	10	28.5	30	0.120	10	50
137703	Elbow short 20 - 1/2" F	46.5	10	28.5	30	0.130	10	50
137713	Elbow short 20 - 3/4" F	48.5	12	30.5	30	0.160	10	50
137723	Elbow short 25 - 3/4" F	56	12	30.5	29	0.185	10	50

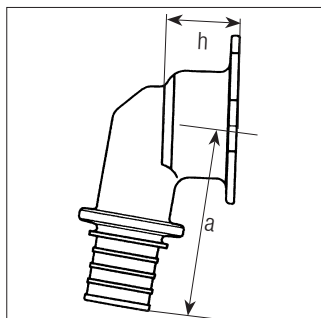
REHAU Wall Plate Elbow - Male

Material: DZR Brass: dezincification resistant brass fitting



Article No.	Description	Dimensions mm			Weight kg/each	Bags	Cartons
		a	z	h			
138493	Elbow 16 - 1/2" M	44.5	26.5	33	0.150	10	50
138503	Elbow 20 - 1/2" M	45	27	34.5	0.158	10	50

RAUTHERM UNIVERSAL PIPE AND FITTINGS



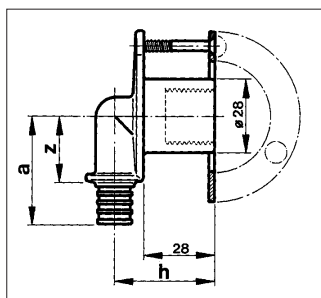
REHAU Flanged Elbow - Surface fixed

Material: DZR Brass: dezincification resistant brass fitting

Can be fitted into Pipe in Pipe Termination Box,
Art. No. 137035, page 18.

Article No.	Description	Dimensions mm		Weight kg/each	Bags	Cartons
		a	z			
137365	Flanged elbow 16-1/2"	22	51	0.150	10	50

See Wall/floor Pipe Termination Box, page 18

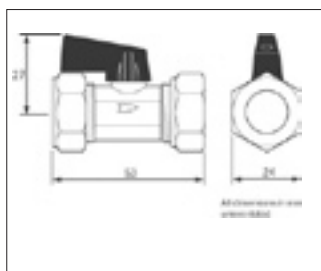


REHAU Surface Plate Elbow - Female

Material: DZR Brass: dezincification resistant brass fitting

Surface fixed with plasterboard fixing ring.

Article No.	Description	Dimensions mm			Weight kg/each	Bags	Cartons
		a	h	z			
137733	16 - 1/2" F	43.5	40	25.5	0.185	10	50
137743	20 - 1/2" F	43.5	41	25.5	0.185	10	50



REHAU 15mm Isolating Valve (reduced bore)

Material: Chrome plated DZR Brass (body only)
WRAS listed

For hot and cold water.
With compression connections. Black lever.

To be used in combination with REHAU male copper adapters Art. No. 139212 (16mm PE-X) and Art. No. 139252 (20mm PE-X).

Article No.	Description	Dimensions mm			Weight kg/each	Bags
		a	b	c		
283864	15mm Isolating lever ball valve	53	24	3	0.90	Individual

RAUTHERM UNIVERSAL PIPE AND FITTINGS

REHAU Heating Distribution Header

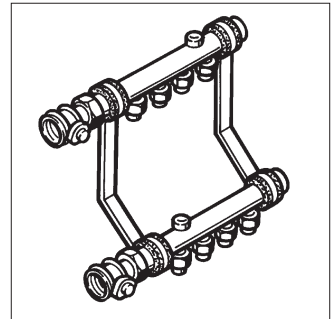
Material: Brass MS 63

Including:

- Heating manifold /distribution header, pressure tested, flow and return sections
- 1" external thread for flat-seal union
- 3/4" connection nipple

- Bleed valves
- 3/4" ball valves with flats and 1" screw union, flat sealing
- Mounted on sound-insulated galvanised brackets in compliance with DIN EN 12164

Supplied without pipe connecting unions.



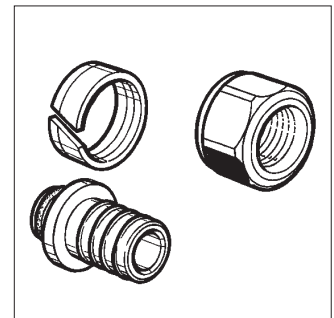
Article No.	Description	Weight kg/each	Unit of Supply
232021	Dist. header for 2-Port, HLV 2, length inc. ball valve 265mm	3.0	Each
232031	Dist. header for 3-Port, HLV 3, length inc. ball valve 320mm	3.5	Each
232041	Dist. header for 4-Port, HLV 4, length inc. ball valve 375mm	4.0	Each
232051	Dist. header for 5-Port, HLV 5, length inc. ball valve 430mm	4.5	Each
232061	Dist. header for 6-Port, HLV 6, length inc. ball valve 485mm	5.0	Each
232071	Dist. header for 7-Port, HLV 7, length inc. ball valve 540mm	5.5	Each
232081	Dist. header for 8-Port, HLV 8, length inc. ball valve 595mm	6.0	Each
232091	Dist. header for 9-Port, HLV 9, length inc. ball valve 650mm	6.8	Each
232101	Dist. header for 10-Port, HLV 10, length inc. ball valve 705mm	7.5	Each
232111	Dist. header for 11-Port, HLV 11, length inc. ball valve 760mm	8.3	Each
232121	Dist. header for 12-Port, HLV 12, length inc. ball valve 815mm	9.0	Each

REHAU Connecting Union

Material: Brass

Spigot, compression ring and nut - for manifold/distribution header connections.

Article No.	Description	Weight kg/each	Unit of Supply
268944	16 x 1.5	0.09	10
268954	20 x 1.9	0.09	10

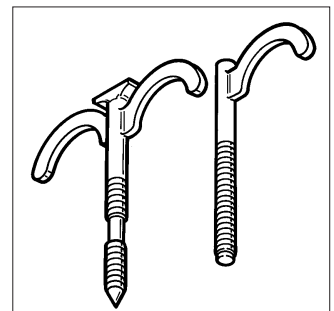


REHAU Retaining Hook

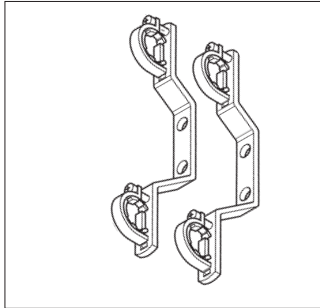
Material: Nylon

Colour: Black

Article No.	Description	Weight kg/each	Delivery Unit
257378	Retaining hook (length 100mm) for fixing single pipe 14mm up to 32mm	0.007	100
257388	Retaining hook (length 100mm) for fixing two pipes 14mm up to 32mm	0.008	100



RAUTHERM UNIVERSAL PIPE AND FITTINGS



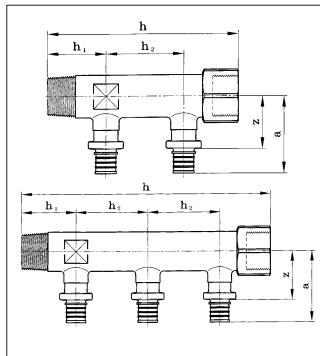
REHAU Manifold Brackets

Material: PPA

3/4" clamps.

For fixing modular manifold in REHAU Manifold cabinets or for wall fixing.

Article No.	Description	Weight kg/each	Unit of Supply	Cartons
264121	Manifold brackets	0.30	2	10



REHAU Modular Distribution Header

Material: DZR Brass: dezincification resistant brass fitting

For 16mm pipe.

Supplied without compression sleeves.

For distribution from a central point.

Ports at 50mm centres.

2 or more units can be joined to make multiple port manifolds.

Article No.	Description	Dimensions mm					Weight kg/each	Bags	Cartons
		a	z	h	h1	h2			
137463	2-Port Modular manifold 16	51.5	33.5	123	38	50	0.385	1	10
137473	3-Port Modular manifold 16	51.5	33.5	173	38	50	0.53	1	10
137803	End cap nut 3/4" F thread	-	-	-	-	-	0.07	5	50

RAUTHERM UNIVERSAL PIPE AND FITTINGS

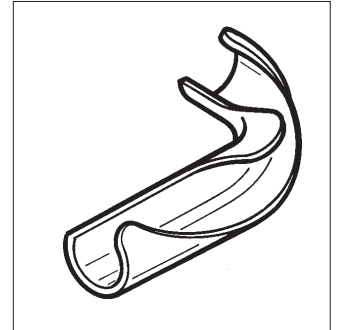
REHAU 90° Pipe Bend Former

Material: Electroplated steel

Radius: 5 x D

Article No.	For PE-Xa Pipe	Weight kg/each	Bags	Cartons
258408	16 x 1.5	0.045	10	50
258798	20 x 1.9	0.080	10	50
257249	25 x 2.3	0.145	10	50
261153*	32 x 2.9	0.514	5	50

* The 32mm bend former may be supplied as a different design to that shown above but this will perform the same function.

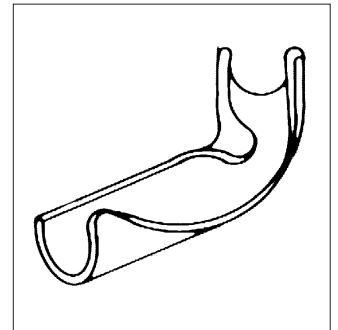


REHAU 45° Pipe Bend Former

Material: Electroplated steel

Radius: 5 x D

Article No.	For PE-X Pipe	Weight kg/each	Bags	Cartons
265729	16 x 1.5	0.045	10	50
268624	20 x 1.9	0.080	10	50
268634	25 x 2.3	0.145	10	50
268644	32 x 2.9	0.514	5	50

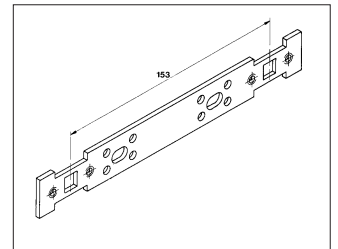


REHAU Wall Bracket

Material: Galvanised steel

With cut outs at 153mm centres.

Article No.	Weight kg/each	Bags	Cartons
137100	0.110	20	100

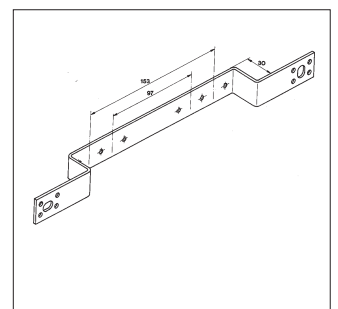


REHAU Wall Recess Bracket

Material: Galvanised steel

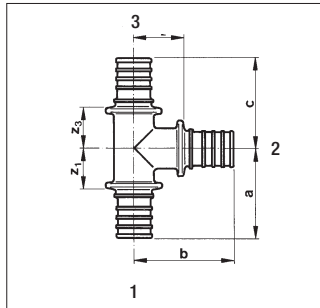
30mm recess, to take wall plate elbows.

Article No.	Description	Weight kg/each	Packs	Cartons
137115	0 97-153	0.165	5	50
137105	0 45-80	0.135	5	50



Other bracket options available to order

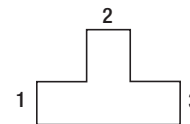
RAUTHERM UNIVERSAL PIPE AND FITTINGS



REHAU Tees

Material: DZR Brass: dezincification resistant brass fitting

Please note – outlet dimensions given in order shown below.



For critical projects, it is recommended to check with your nearest sales office for the latest stock position.

Article No.	Description	Dimensions mm						Weight kg/each	Bags	Cartons
		a	b	c	z1	z2	z3			
Equal Tees										
139102	Tee 16/16/16	38.25	43	38.25	20.25	25	20.25	0.170	10	50
139112	Tee 20/20/20	40.25	43	40.25	22.25	25	22.25	0.205	10	50
139122	Tee 25/25/25	50	53.5	50	24.5	28	24.5	0.200	10	50
139132	Tee 32/32/32	59	64	59	28	33	28.25	0.385	3	30
138773	Tee 40/40/40	67	77	67	33	43	33	0.731	-	1
244372	Tee 50/50/50	487.5	87	87.5	36.5	46	36.5	0.780	-	1
244382	Tee 63/63/63	104.5	109.5	104.5	54.5	57.5	54.5	0.830	-	1
Reduced Centre Tees										
139142	Tee 20/16/20	38.25	43	38	20.25	25	20.25	0.195	10	50
139152	Tee 25/16/25	45.75	47	45.75	20.25	29	20.25	0.170	10	50
139162	Tee 25/20/25	47.75	47	47.75	22.25	29	22.25	0.185	10	50
137543	Tee 32/20/32	54.25	51	54.25	23.25	33	23.25	0.315	3	30
139172	Tee 32/25/32	56.5	57.5	56	25.25	32	25.5	0.325	3	30
244392	Tee 40/20/40	62	57	62	28	59	28	0.654	-	1
138783	Tee 40/25/40	67	65.5	67	33	40	33	0.658	-	1
138793	Tee 40/32/40	67	72	67	33	41	33	0.680	-	1
244402	Tee 50/20/50	69	62	69	28	30.5	28	0.855	-	1
244412	Tee 50/25/50	72.5	68.5	72.5	31.5	30.5	31.5	0.860	-	1
138813	Tee 50/32/50	71.5	75	79.5	30.5	44	38.5	0.867	-	1
244422	Tee 50/40/50	81	80	81	40	30.5	40	0.880	-	1
244432	Tee 63/20/63	79.5	72	79.5	29.5	37	29.5	1.10	-	1
244442	Tee 63/25/63	82.5	78.5	82.5	32.5	37	32.5	1.20	-	1
244452	Tee 63/32/63	87	85	87	37	37	37	1.20	-	1
244462	Tee 63/40/63	91.5	90	91.5	41.5	37	41.5	1.70	-	1
244472	Tee 63/50/63	98	97	98	48	37	48	1.90	-	1
Reduced End Tees										
139182	Tee 20/20/16	40	43	40	22.25	25	22.25	0.125	10	50
137563	Tee 25/25/16	50	53.5	42.5	24.5	28	24.5	0.185	10	50
137533	Tee 25/25/20	50	53.5	42.5	24.5	28	24.5	0.195	10	50
139192	Tee 32/32/25	59.25	64	52.75	28.25	33	27.2	0.325	3	30
Reduced End & Centre Tees										
139202	Tee 20/16/16	38.25	43	38.25	20.25	25	20.25	0.190	10	50
139222	Tee 25/16/20	45.75	47	38.25	20.25	29	20.25	0.140	10	50
137553	Tee 25/20/16	48	47	40.5	22.2	29	22.5	0.150	10	50
139232	Tee 25/20/20	47.75	46	40.25	20.25	28	22.25	0.170	10	50
139242	Tee 32/25/25	56.5	57.5	50.5	25.25	32	24.5	0.280	3	30
138803	Tee 50/32/40	71.5	44	72.5	30.5	30	38.5	0.713	-	1
137503	Tee 16/20/16	40.25	43	40.25	22.25	25	22.25	0.105	10	50
137513	Tee 20/25/16	42.5	49.5	42.5	24.5	24	24.5	0.130	10	50
137523	Tee 20/25/20	44.5	49.5	42.5	24.5	24	24.5	0.160	10	50

RAUTHERM UNIVERSAL PIPE AND FITTINGS

REHAU Radiator Bends

Material:

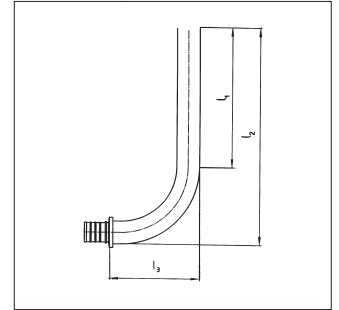
Pipe - Stainless steel: 15 x 1mm
(DIN 2463)

Fitting - Stainless steel (DIN 17440)

Cu/brass connecting bend sets also available.



**Not suitable for potable water installations:
Heating only**



Article No.	Description	Dimensions mm			Weight kg/each	Carton
		l1	l2	l3		
260700	Radiator bend 16/250mm	252	289	62	0.140	10
260710	Radiator bend 16/1000mm	1002	1039	62	0.380	10
260720	Radiator bend 20/250mm	252	289	62	0.140	10
240527	Cu Radiator bend 16/250mm				0.382	5 pairs

REHAU Radiator Tees

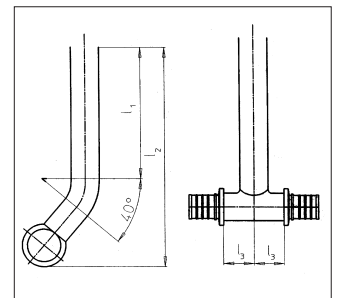
Material:

Pipe - Stainless steel: 15 x 1mm (DIN 2463)

Fitting - Stainless steel (DIN 17440)



**Not suitable for potable water installations:
Heating only**



Article No.	Description	Dimensions mm			Weight kg/each	Cartons
		l1	l2	l3		
260740	Radiator tee 16/250mm	252	300	15.5	0.200	10
260760	Radiator tee 20/250mm	252	300	15.5	0.215	10

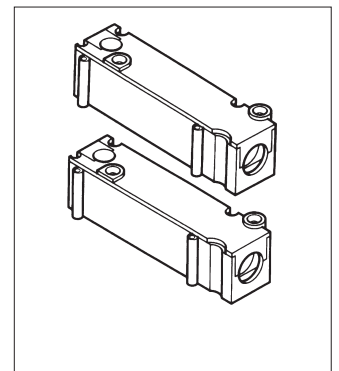
REHAU Floor Box Set

Material: Plastic

Access box for radiator bend. Each set includes a pair of boxes which clip together. Includes access plate and fixing screws.

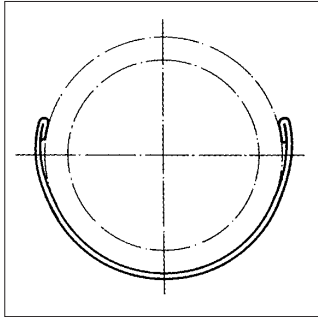
Ref: Water Byelaw 58

(Refer to local water undertaker for further clarification).



Article No.	For PE-Xa Pipe	Weight kg/each	Unit of Supply	Delivery Cartons
268610	For 16 and 20mm pipe sizes	0.23	In pairs	20

RAUTHERM UNIVERSAL PIPE AND FITTINGS

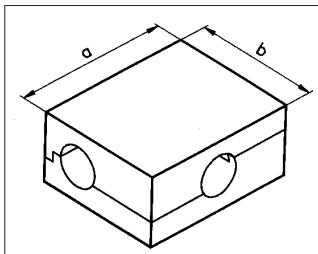


REHAU Pipe Support Channel

Material: Galvanised steel

To support pipe where required, pipe simply clips into place.

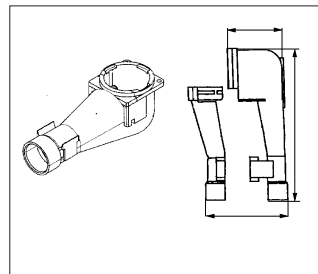
Article No.	For PE-Xa Pipe	Weight kg/each	Unit	Delivery Unit
138033	16 x 1.5	0.27	3m length	30m bundle
138043	20 x 1.9	0.32	3m length	30m bundle
138053	25 x 2.3	0.48	3m length	30m bundle
138063	32 x 2.9	0.60	3m length	30m bundle
138073	40 x 3.7	0.91	3m length	15m bundle
138083	50 x 4.6	1.08	3m length	15m bundle
138093	63 x 5.8	1.32	3m length	15m bundle



REHAU Access Box for Tees

Material: Polystyrene

Article No.	Description	Dimensions mm		Cartons
		a	b	
137108	For 16 and 20mm pipe sizes	90	75	20



REHAU Wall Termination Box

Material: Black plastic

Fixed through to wall, with internal plated bracket to take **Flanged Elbow fitting**,

Art. No. 137365, page 12.

Pipe in pipe clips into place, front cover clips on.

Supplied as a pair of boxes.

Ref: Water Byelaw 58 (Refer to local water undertaker for further clarification).

Article No.	Description	Dimensions mm			Weight kg/each	Bags	Cartons
		a	H	t			
137035	Wall box	48	138	32	0.130	2	20

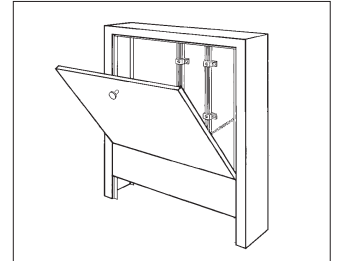
RAUTHERM UNIVERSAL PIPE AND FITTINGS

REHAU Distribution Manifold Cabinet (Surface Mounted)

Material: Galvanised sheet steel

Manifold /Distribution header cabinet for on-wall installation including:

- Height adjustable manifold mounting
- Screed cover trim, adjustable
- Trim frame with push-fit door and rotary catch
- No pipe knockouts on both sides



Article No.	Description/Dimension (WxHxD)	Weight kg/each	Unit of Supply
250567	Type 2, up to 5-Port standard manifold, up to 2-Port compact mixer manifold (605x730x150)	11.6	Each
250577	Type 4, up to 8-Port standard manifold, up to 6-Port compact mixer manifold (805x730x150)	14.2	Each
250587	Type 7, up to 12-Port standard manifold, up to 10-Port compact mixer manifold (1005x730x150)	17.6	Each
250597	Type 9, up to 12-Port compact mixer manifold (1205x730x150)	20.7	Each

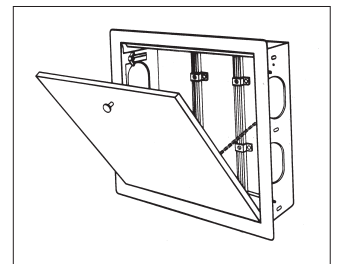
REHAU Distribution Manifold Cabinet (Flush Mounted)

Material: Galvanised sheet steel

Manifold /Distribution header cabinet for in-wall installation including:

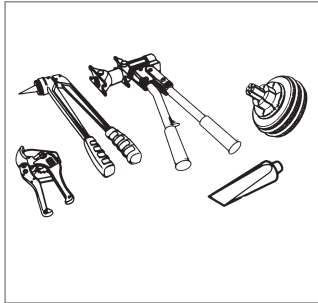
- Height and width adjustable manifold mounting

- Pipe knockouts on both sides
- Brackets for manifold
- Push-fit door with catch
- Screed cover trim, adjustable
- Trim frame with push-fit door and rotary catch



Article No.	Description/Dimension (WxHxD)	Weight kg/each	Unit of Supply
250447	Type 2, up to 5-Port standard manifold, up to 2-Port compact mixer manifold (554x700-850x110-160)	12.4	Each
250457	Type 4, up to 8-Port standard manifold, up to 5-Port compact mixer manifold (754x700-850x110-160)	16.0	Each
250467	Type 7, up to 12-Port standard manifold, up to 9-Port compact mixer manifold (954x700-850x110-160)	18.9	Each
250477	Type 9, up to 12-Port compact mixer manifold (1155x700-850x110-160)	21.7	Each

REHAU COMPRESSION SLEEVE TOOLING



REHAU Jointing Tool M1 16-32mm

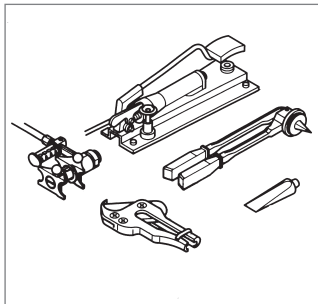
Manual Jointing tool with 2 double clamping jaws.

Including:

- Clamping jaws 16/20
- Clamping jaws 25/32
- Expander head 16x1.5

- Expander head 20x1.9
- Expander head 25x2.3
- Expander head 32x2.9
- Pipe cutter 40mm

Article No.	Description	Weight kg/each
283772	RAUTOOL M1 including supplementary articles for 16-32mm	8.0



REHAU Mechanical Hydraulic Tool 16-32mm

Hydraulic tool with 2 double clamping jaws.
The tool is operated by a foot/hand pump.

Including:

- Clamping jaws 16/20
- Clamping jaws 25/32
- Expander head 16x1.5

- Expander head 20x1.9
- Expander head 25x2.3
- Expander head 32x2.9
- Foot pump
- Pipe cutter 40mm

Article No.	Description	Weight kg/each
283787	RAUTOOL H1 including supplementary articles for 16-32mm	13.8



RAUTOOL A2 Rechargeable Tool 16-32mm

Electronic rechargeable tool with 2 double clamping jaws.

Including:

- Pipe cutter 40mm
- Recharger
- Spare accu

Article No.	Description	Weight kg/each
248381	RAUTOOL A2 16-32	15.9
257259	Clamping Jaws 25/32	0.7
137674	Supplementary Set H1/E2 including <ul style="list-style-type: none"> - Clamping jaws 16/20 - Expander head 16x1.5 - Expander head 20x1.9 - Expander head 25x2.3 - Expander head 32x2.9 	1.2

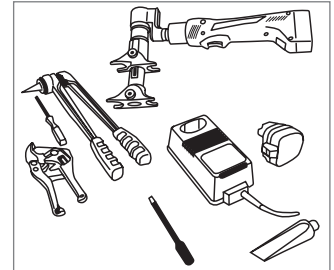
REHAU COMPRESSION SLEEVE TOOLING

RAUTOOL A Light Rechargeable Tool 16-32

Electronic rechargeable tool with 2 double clamping jaws.

Including:

- Pipe cutter 40mm
- Recharger
- Spare accu



Article No.	Description	Weight kg/each
227974	RAUTOOL A Light	12.0
257259	Clamping jaws 25/32	0.7
137674	Supplementary Set H1/E2 including - Clamping jaws 16/20 - Expander head 16x1.5 - Expander head 20x1.9 - Expander head 25x2.3 - Expander head 32x2.9	1.2

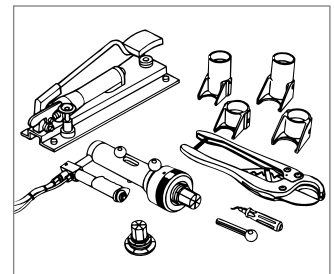
RAUTOOL Mechanical Hydraulic Tool Large 50-63

Hydraulic tool with expander pliers. The tool is operated by a foot pump.

- Expander head 50x4.6
- Expander head 63x5.7
- Foot pump
- Pipe cutter 63mm

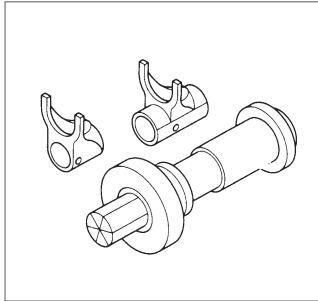
Including:

- Clamping jaws G50
- Clamping jaws G3



Article No.	Description	Weight kg/each
137404	RAUTOOL H/G1	33.24

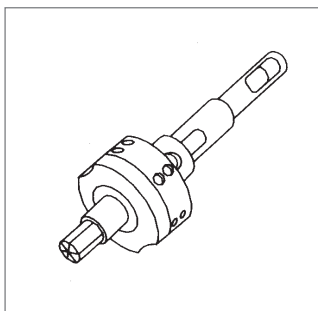
REHAU COMPRESSION SLEEVE TOOLING



Additional Supplementary Sets

Used to complete A2 and H1 for up to 40mm.

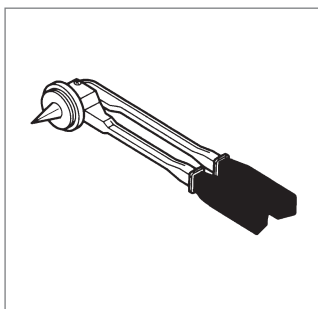
Article No.	Description	Weight kg/each	For use with
137284	Supplementary Set 40mm - Clamping jaws hydraulic - Expanderbit 40x3.7	2.1	A2/H1



REHAU Hydraulic Expander Heads

For use with tools H1.

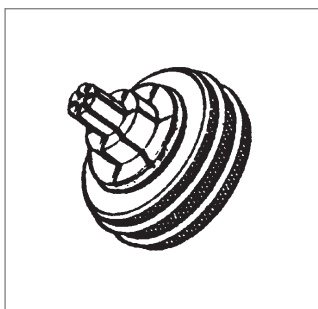
Article No.	Description	Weight kg/each	For use with
248411	Hydraulic expander set 16/20	0.44	H1, A2, A light
244541	Hydraulic expander set 25	0.72	H1, A2, A light
244551	Hydraulic expander set 32	0.72	H1, A2, A light



REHAU Expander Pliers

Used to secure expander heads.

Article No.	Description	For use with
139592	Expander pliers 16-32	H1, A2, A light
137914	Expander pliers 40-63	H/G1



REHAU Expander Heads

Supplied as spare parts.

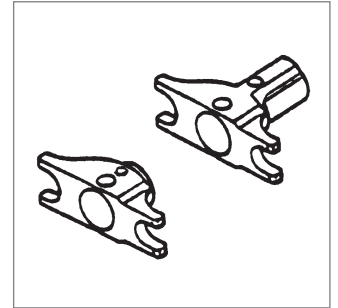
Article No.	Description	Weight kg/each	For use with
261323	Expander head 16x1.5	0.16	M1, H1, A2, A light
261333	Expander head 20x1.9	0.17	M1, H1, A2, A light
139662	Expander head 25x2.3	0.19	M1, H1, A2, A light
137193	Expander head 32x2.9	0.21	M1, H1, A2, A light
138463	Expander head 40x3.7	0.59	H1, A2, H/G1
137314	Expander head 40x3.7	1.0	M1
137424	Expander head 50x4.6	0.67	H/G1
137434	Expander head 63x5.7	0.67	H/G1

REHAU COMPRESSION SLEEVE TOOLING

REHAU Clamping Jaws

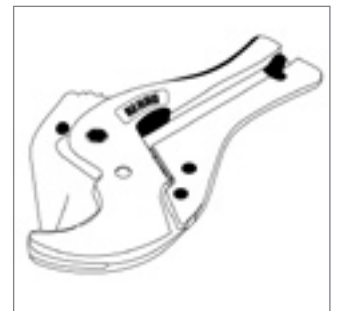
Supplied as spare parts.

Article No.	Description	Weight kg/each	For use with
137744	Clamping jaw 16/20	0.68	M1
138603	Clamping jaw 16/20	0.77	H1, A2, A light
137364	Clamping jaw 25/32	0.80	M1
257259	Clamping jaw 25/32	0.68	H1
137374	Clamping jaw 40	0.77	M1
137805	Clamping jaw 40	0.77	H1, A2, A light
137964	Clamping jaw 40x3.7	2.35	H/G1
137624	Clamping jaw 50x4.6	2.61	H/G1
137634	Clamping jaw 63x5.7	3.08	H/G1



REHAU Pipe Cutter

Article No.	Description	Weight kg/each
137495	Pipe cutter 25	0.15
138062	Pipe cutter 40	0.60
138072	Spare blade for pipe cutter 40	0.80
139092	Piper cutter 63	1.18
137435	Spare blade for pipe cutter 63	0.12



UK & IRELAND SALES OFFICES

London, REHAU Ltd, The Building Centre, 26 Store Street, London WC1E 7BT **Slough**, Units 5 J & K, Langley Business Centre, Station Road, Langley, Slough SL3 8DS Phone: 01753 588500 Fax: 01753 588501 **Manchester**, Brinell Drive, Irlam, Manchester M44 5BL Phone: 0161 777 7400 Fax: 0161 777 7401 **Glasgow**, Phoenix House, Phoenix Crescent, Strathclyde Business Park, Bellshill, North Lanarkshire ML4 3NJ Phone: 01698 503700 Fax: 01698 503701 **Dublin**, 9 St. Johns Court, Business Park, Swords Road, Santry, Dublin 9 Phone: 00353 (0)1 8165020 Fax: 00353 (0)1 8165021

Our verbal and written application engineering advice is based upon experience and the best of our knowledge. However it is to be regarded as non-binding information. Working conditions and use under conditions for which the product was not intended and over which we have no influence exclude any claim resulting from our information. We recommend that a suitable check is made as to whether the REHAU product is suitable for the envisaged purpose. Application, use and processing of the products is carried out beyond the scope of our control and are therefore carried out exclusively at your own responsibility. If liability should still apply, then this is restricted, in the case of all damage, the value of the goods supplied by us and used by you. Our warranty applies to the consistent quality of our products as per our specification and in accordance with our general terms and conditions of delivery and payment. This document is protected by copyright. All rights based on this are reserved. No part of this publication may be translated, reproduced or transmitted in any form or by any similar means, electronic or mechanical, photocopying, recording or otherwise, or stored in a data retrieval system.