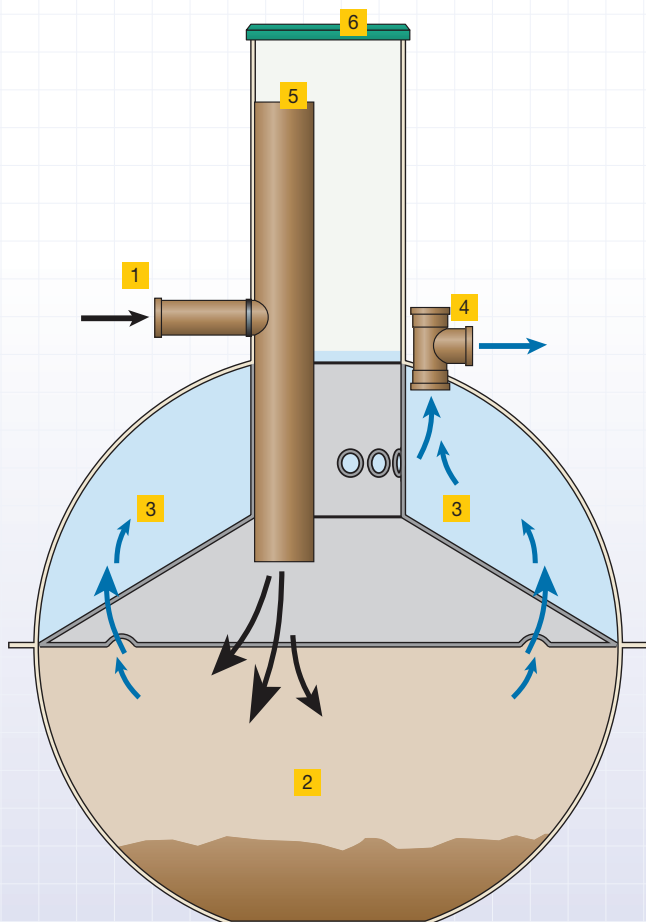


# SEPTIC TANKS >

## FOR BASIC TREATMENT TO OFF-MAINS WASTEWATER

Normally the simplest and most economical means of treating wastewater from small developments, a septic tank is a two or three chamber system which holds sewage to allow solids to settle into sludge at the bottom of the tank. Here it is naturally broken down, by a process known as anaerobic digestion, which provides settlement and some biological treatment but the effluent is not fully treated and must receive additional treatment before discharge to the water environment – the most common method being to spread the effluent to land via an underground drainage field.

- > For domestic dwellings the capacity of a septic tank should be a minimum of 2700ltrs for up to 4 users, with the size increased by 150ltrs for each additional user
- > Sewage treatment is an ongoing process. For the micro-organisms to stay healthy the system should be desludged regularly to prevent the build-up of sludge and to allow sewage to flow freely through the unit



## SEPTIC TANK BENEFITS

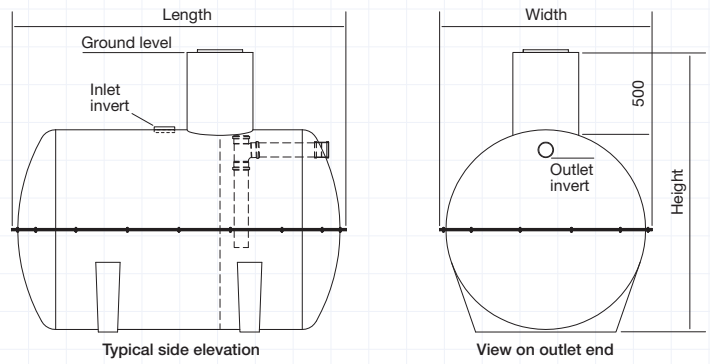
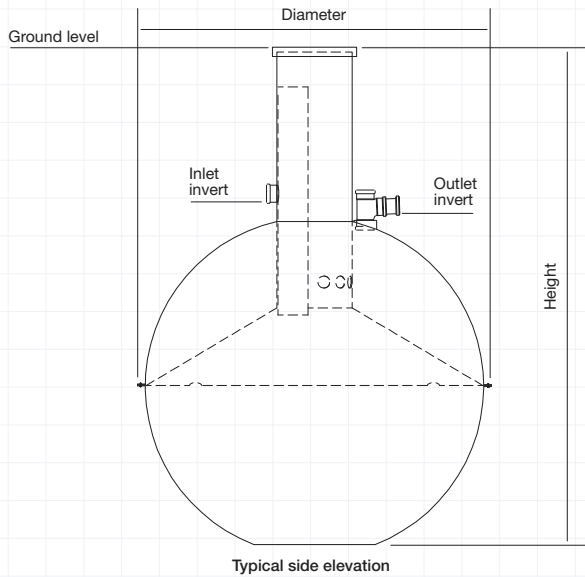
- > Tested to BSEN12566:1 and CE-marked to ensure compliance with latest environmental and Building Regulations requirements
- > Traditional 'onion-style' tanks for standard installations
- > Low profile versions for high water table or hard rock site conditions
- > Heavy duty shell as standard to enable installation in all ground conditions
- > Integral lifting eyes for improved on-site handling
- > Unique 'keying-in' lip to assist anchoring into granular or concrete surround
- > Pedestrian cover and frame included as standard
- > Additional 'Green Filter' range incorporating patented Polylok filter on outlet to reduce suspended solids, improving effluent quality and prolonging drainage field life

## KEY

- 1 Inlet
- 2 Primary settlement chamber
- 3 Secondary chamber
- 4 Outlet
- 5 Desludge port
- 6 Access cover

Your Stockist  
Ecomerchant  
tel: 01793 847 444  
email: [info@ecomerchant.co.uk](mailto:info@ecomerchant.co.uk)  
web: [www.ecomerchant.co.uk](http://www.ecomerchant.co.uk)





### HORIZONTAL SEPTIC TANK SPECIFICATIONS

Size	Length	Width	Height	Inlet		Outlet	
				Invert	Ø	Invert	Ø
2800L	3000	1250	1750	500	110	800	110
3800L	4000	1250	1750	500	110	800	110
4500L	2650	1600	2100	500	110	800	110
6000L	2950	1900	2400	500	160	800	160
8000L	3640	1900	2400	500	160	800	160
10000L	4200	1900	2400	500	160	800	160
12000L	5200	1900	2400	500	160	800	160
14000L	5840	1900	2400	500	160	800	160
16000L	6700	1900	2400	500	160	800	160
18000L	7500	1900	2400	500	160	800	160
20000L	8100	1900	2400	500	160	800	160

All dimensions in mm

All dimensions in mm

### STANDARD SEPTIC TANK SPECIFICATIONS

Size	Dia	Height	Inlet		Outlet	
			Invert	Ø	Invert	Ø
2800L	1870	2780	1000	110	1075	110
3800L	2075	3000	1000	110	1075	110
4500L	2196	3100	1000	110	1075	110

Your Stockist

Ecomerchant



tel: 01793 847 444

email: [info@ecomerchant.co.uk](mailto:info@ecomerchant.co.uk)

web: [www.ecomerchant.co.uk](http://www.ecomerchant.co.uk)